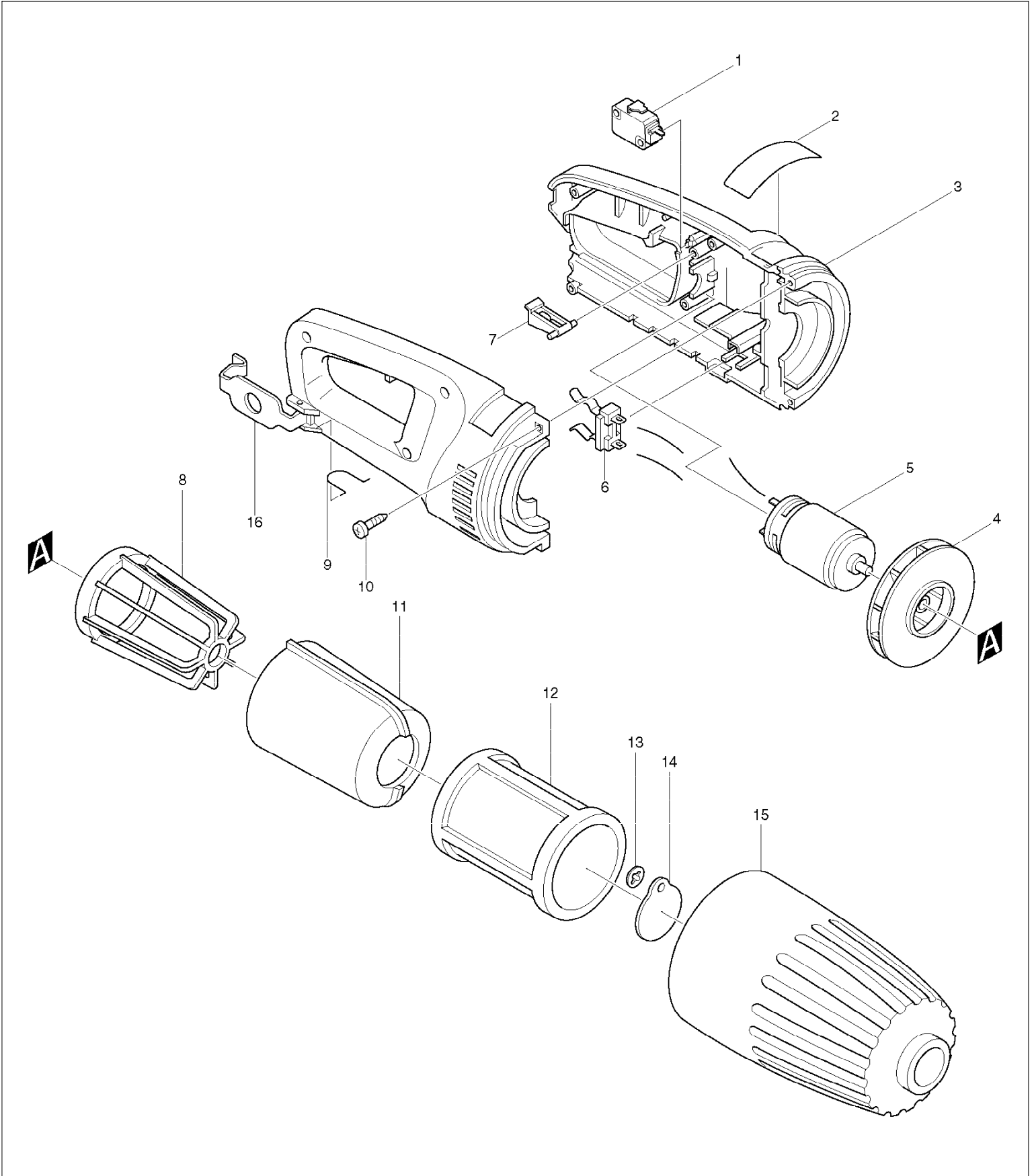


SERVICE DRAWING

MODEL NO. 4071D



SPARE PARTS LIST

MODEL NO. 4071D

ITEM	PART NO.	DESCRIPTION	QTY	NOTE
001	651944-3	SWITCH DMC-1115-13	1	
002	857658-4	NAME PLATE 4071D	1	
003	*****	*****	***	*****
004	241826-3	FAN 80	1	
005	*****	*****	***	*****
006	643909-9	BATTERY HOLDER	1	
007	410236-7	SWITCH LEVER	1	
008	410237-5	STAY	1	
009	281206-1	HANGER	1	
010	265837-4	+ TAPPING SCREW 3X20	6	
011	443060-3	FILTER	1	
012	410238-3	PRE-FILTER	1	
013	259015-6	STOP RING CS-3	1	
014	423039-0	VALVE	1	
015	*****	*****	***	*****
016	*****	*****	***	*****
400	*****	*****	***	*****
401	*****	*****	***	*****
402	*****	*****	***	*****