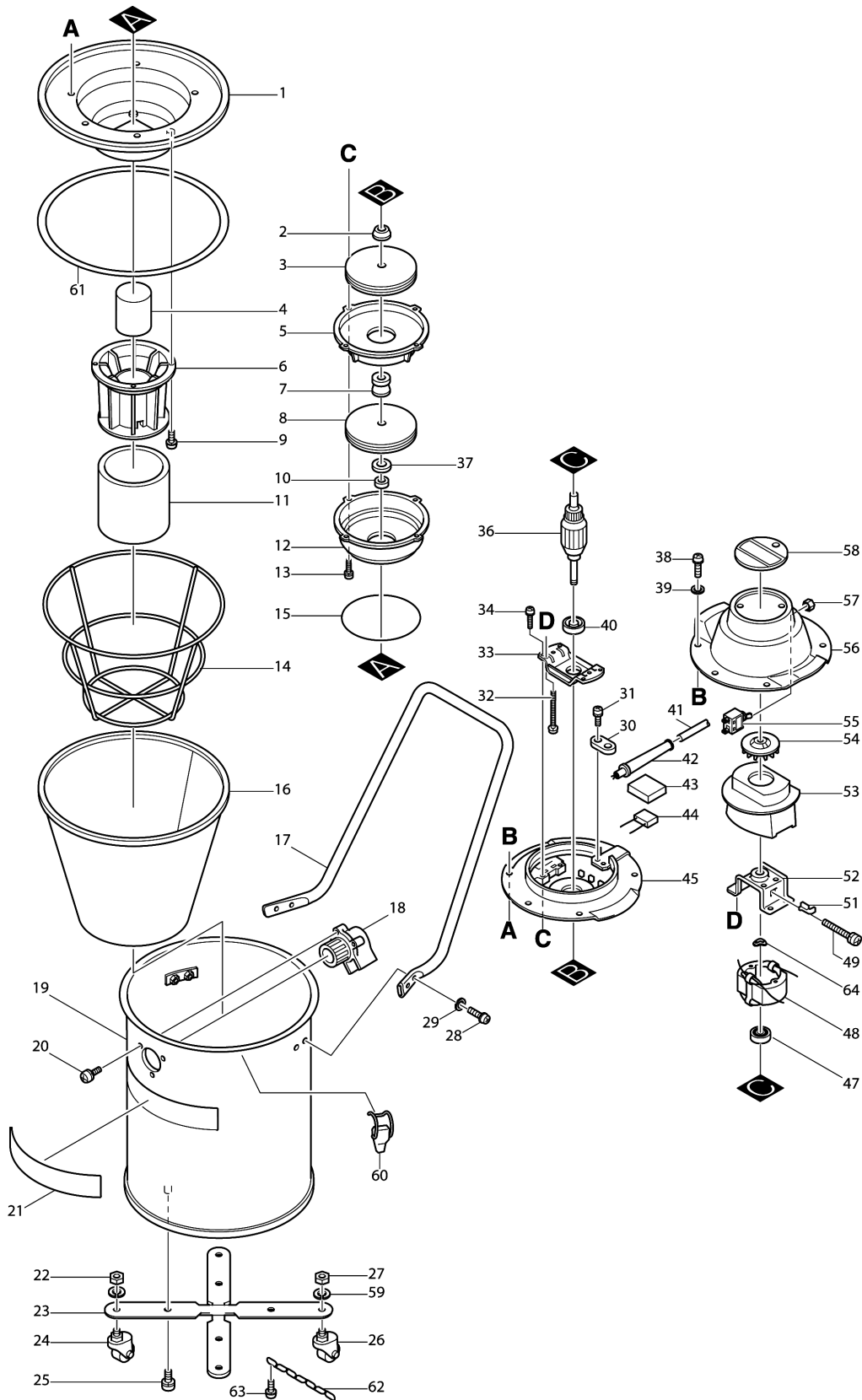


Model No.403 VACUUM CLEANER



Model No.403 VACUUM CLEANER

Item	Parts No.	Description	I/C	Qty	New/Old	Opt. 1	Opt. 2	Note
001	168120-7	TANK COVER		1				
C10	262045-8	RUBBER RING 346		1				
002-1	313052-5	FLANGE		1				
003	241825-5	FAN 140		1				
004	410221-0	FLOAT		1				
005	342642-7	GUIDE VANE		1				
006	410222-8	FILTER CAGE		1				
007	315595-3	SPACER		1				
008	241825-5	FAN 140		1				
009	911113-1	PAN HEAD SCREW M4X10 WITH WR		4				
010	931503-2	HEX. NUT M10		1				
011	423147-7	FOAM FILTER		1				
012	155650-7	VANE COVER		1				
D10		INC. 15						
013	911121-2	PAN HEAD SCREW M4X14		4				
014	164696-2	FRAME		1				
015	421245-1	RING-PACKING		1				
016-2	166037-8	CLOTH FILTER		1	*			
016-3	166037-8	CLOTH FILTER	O	1				
017	331229-0	HANDLE		1				
018	410774-9	INLET		1				
019-1	168235-0	TANK		1				
020-1	265944-3	TAPPING SCREW 4X14		3				
021-2	819079-8	MAKITA MARK		1				
022	252108-8	HEX. NUT M12-19		2				
023	164889-1	CASTER BASE		1				
024	168207-5	CASTER 75		2				
025-1	911301-0	PAN HEAD SCREW M6X8		3				
026	168207-5	CASTER 75		2				
027	252108-8	HEX. NUT M12-19		2				
028	921322-4	HEX. BOLT M6X16		4				
029	941151-9	FLAT WASHER 6		4				
030A_	687001-1	STRAIN RELIEF		1				
031	911133-5	PAN HEAD SCREW M4X18		2				
032	911271-3	PAN HEAD SCREW M5X50		4				
033	341935-9	BRACKET		1				
034	911221-8	PAN HEAD SCREW M5X16		4				
036C1	514768-7	ARMATURE ASS'Y 220V		1				
D12		INC. 40,47						
037	315776-9	WASHER 10		1				
038	921341-0	HEX. BOLT M6X25		5				
039	941151-9	FLAT WASHER 6		5				

Please order the parts with part number.

Print Date 17/6/2019

Model No.403 VACUUM CLEANER

Item	Parts No.	Description	I/C	Qty	New/Old	Opt. 1	Opt. 2	Note
040-1	211228-7	BALL BEARING 6202DDW		1				
041F_	665527-3	POWER SUPPLY CORD 1.00-2-5.0		1				
042	682505-8	CORD GUARD 10-90		1				
043	685700-9	SPONGE SHEET		1				
044B_	645200-1	NOISE SUPPRESSOR		1				
045	414143-6	BASE		1				
047	211087-9	BALL BEARING 6200DDW		1				
048E_	528475-6	FIELD ASS'Y 220V		1	*			
048E1	524733-8	FIELD ASS'Y 220V	O	1				
049-1	911128-8	P.H.SCREW M4X16 WITH WR		2				
051A1	191936-5	CARBON BRUSH CB-165		1				
052	341934-1	END BELL		1				
053-1	414731-9	MOTOR HOUSING COVER		1				
054	241824-7	FAN 68		1				
055A_	651471-0	SWITCH STE215K		1	*			
055A1	651481-7	SWITCH STE215K	O	1				
056	414144-4	COWLING		1				
057	652102-4	HEX. NUT M12		1				
058	856329-0	NAME PLATE 403		1				
059	942301-9	SPRING WASHER 12		4				
060	281209-5	HOOK		1				
061	262045-8	RUBBER RING 346		1				
062	282011-9	CHAIN		1				
063	911309-4	PAN HEAD SCREW M6X10		1				
064	253995-8	WAVE WASHER 20		1				
400	122264-7	NOZZLE ASS'Y		1	*			
C10	251991-0	+ TAPPING SCREW M4X12		6	*			
C20	256133-1	PIN 3		2	*			
C30	410150-7	ROLLER		2	*			
C40	410153-1	JOINT HOLDER		1	*			
C50	410155-7	UPPER NOZZLE		1	*			
C60	342606-1	UNDER NOZZLE		1	*			
D10		INC. 404			*			
400-1	122512-4	NOZZLE ASS'Y 38	O	1				
C01	151449-8	ROLLER 40 COMPLETE		2				
C06	415962-3	ROLLER 14		2				
C11	256241-8	PIN 3		2				
C16	265871-4	TAPPING SCREW BT 4X16		6				
C21	154427-7	ELBOW JOINT COMPLETE		1				
C26	415965-7	UPPER NOZZLE		1				
C31	415964-9	JOINT HOLDER		1				
C36	743328-0	BRUSH		1				

Please order the parts with part number.

Print Date 17/6/2019

Model No.403 VACUUM CLEANER

Item	Parts No.	Description	I/C	Qty	New/Old	Opt. 1	Opt. 2	Note
C41	743327-2	WIPER		1				
401	743305-2	BRUSH		1				
402	743306-0	WIPER		1				
404	410152-3	JOINT		1	*			
405-1	414856-9	BENDING PIPE		1				
406-1	192375-2	HOSE COMPLETE 38-2.5		1	*			
408-1	414855-1	STRAIGHT PIPE		1				
409-1	781003-0	WRENCH 10		1	*			
409-2	781036-5	WRENCH 10	O	1				
410	410306-2	CORNER NOZZLE		1				
412	781010-3	WRENCH 19		1				
900-1	122462-3	NOZZLE ASS'Y	O	1	*			
900-2	122512-4	NOZZLE ASS'Y 38	O	1				
C01	151449-8	ROLLER 40 COMPLETE		2				
C06	415962-3	ROLLER 14		2				
C11	256241-8	PIN 3		2				
C16	265871-4	TAPPING SCREW BT 4X16		6				
C21	154427-7	ELBOW JOINT COMPLETE		1				
C26	415965-7	UPPER NOZZLE		1				
C31	415964-9	JOINT HOLDER		1				
C36	743328-0	BRUSH		1				
C41	743327-2	WIPER		1				

Please order the parts with part number.

Print Date 17/6/2019