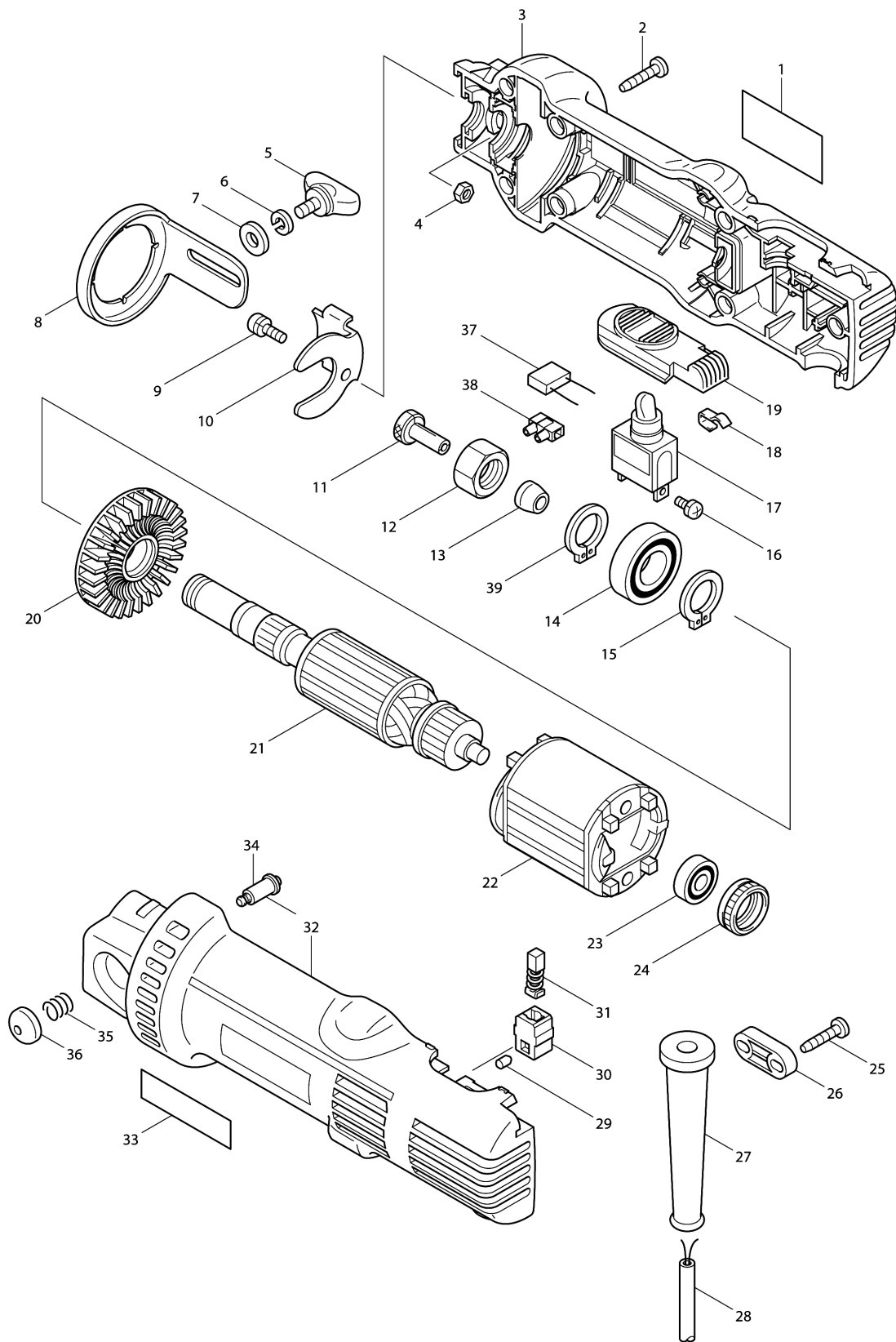


Model No.3706 CUTOUT TOOL



Model No.3706 CUTOUT TOOL

Item	Parts No.	Description	I/C	Qty	New/Old	Opt. 1	Opt. 2	Note
001	853169-7	NAME PLATE 3706		1				
002	265995-6	TAPPING SCREW 4X18		7	*			
002-1	266326-2	TAPPING SCREW 4X18	O	7				
003	183337-1	HOUSING SET		1				
D10		INC. 4,29,32,33						
004	931102-0	HEX. NUT M4		1				
005	265750-6	THUMB SCREW M5X10		1				
006	942101-7	SPRING WASHER 5		1				
007	941101-4	FLAT WASHER 5		1				
008	344964-1	SHOE PLATE		1				
009	911111-5	PAN HEAD SCREW M4X10 WITH W		1				
010	344965-9	SHOE SUPPORT		1				
011	324149-5	ADAPTER		1				
012	763606-2	COLLET NUT 6		1				
013A	763608-8	COLLET CONE 1/4"		1	*			
013B	763608-8	COLLET CONE 1/4"		1	*			
013-1A	763608-8	COLLET CONE 1/4"	O	1				
013-1B	763608-8	COLLET CONE 1/4"	O	1				
013-1C	763608-8	COLLET CONE 1/4"		1				
014A	211227-9	BALL BEARING 6002DDW		1	*			
014-1A	211236-8	BALL BEARING 6002DDW	O	1				
014-1B	211236-8	BALL BEARING 6002DDW		1				
014-1C	211236-8	BALL BEARING 6002DDW		1				
015	961055-9	RETAINING RING S-15		1				
016	652008-6	PAN HEAD SCREW M3.5X7		2				
017	651423-1	SWITCH		1				
018	232166-0	LEAF SPRING		1				
019	417500-7	SWITCH LEVER		1				
020	240044-0	FAN 56		1				
021A_	517549-8	ARMATURE ASS'Y 220-240V		1				
D10		INC. 14,15,20,23,39						
022A_	599703-6	FIELD ASS'Y 220-240V		1				
C10	654002-4	TERMINAL 1.25-M4		2				
023	210017-7	BALL BEARING 607DDW		1				
024	421479-6	RUBBER RING 19		1				
025	265995-6	TAPPING SCREW 4X18		2				
026A_	687052-4	STRAIN RELIEF		1				
027	682559-5	CORD GUARD 8		1				
028A_	695034-2	POWER SUPPLY CORD 1.0-2- 4.0		1				
029	263002-9	RUBBER PIN 4		2				
030	643552-4	BRUSH HOLDER 5-8		2				

Please order the parts with part number.

Print Date 3/6/2019

Model No.3706 CUTOUT TOOL

Item	Parts No.	Description	I/C	Qty	New/Old	Opt. 1	Opt. 2	Note
031A_	191627-8	CARBON BRUSH CB-64		1				
032	183337-1	HOUSING SET		1				
D10		INC. 3,4,29,33						
033	819063-3	MAKITA LABEL		1				
034	256465-6	PIN 4-6.5		1				
035	233072-2	COMPRESSION SPRING 8		1				
036	417236-8	PIN CAP		1				
037	645200-1	NOISE SUPPRESSOR		1				
038	654532-5	TERMINAL BLOCK 1P		1				
039	961055-9	RETAINING RING S-15		1				
A01	423319-4	WRENCH HOLDER		1				
A02	781008-0	WRENCH 17		1				
A03	193446-8	DRYWALL GUIDE BIT 3.18 SET		2				
A04B	193448-4	CIRCULAR GUIDE SET		1	*			
A04-1B	193448-4	CIRCULAR GUIDE SET	O	1				
A04-1C	193448-4	CIRCULAR GUIDE SET		1				
A05B	193449-2	DUST COLLECTION COVER		1				
A05C	193449-2	DUST COLLECTION COVER		1				
A06B	193483-2	MULTIPURPOSE BIT 3.18 SET		5				
A06C	193483-2	MULTIPURPOSE BIT 3.18 SET		5				
A07B	824676-7	PLASTIC CARRYING CASE		1				
C10	416661-0	LATCH		2				
A07C	821549-5	CONNECTOR PLASTIC CASE (TYPE1)		1				
C10	453974-8	LATCH		4				
A08C	837895-6	INNER TRAY		1				
A09C	802H46-8	3706J INDICATION LABEL		1				
A10C	802H47-6	3706J PLASTIC CASE LABEL		2				

Please order the parts with part number.

Print Date 3/6/2019