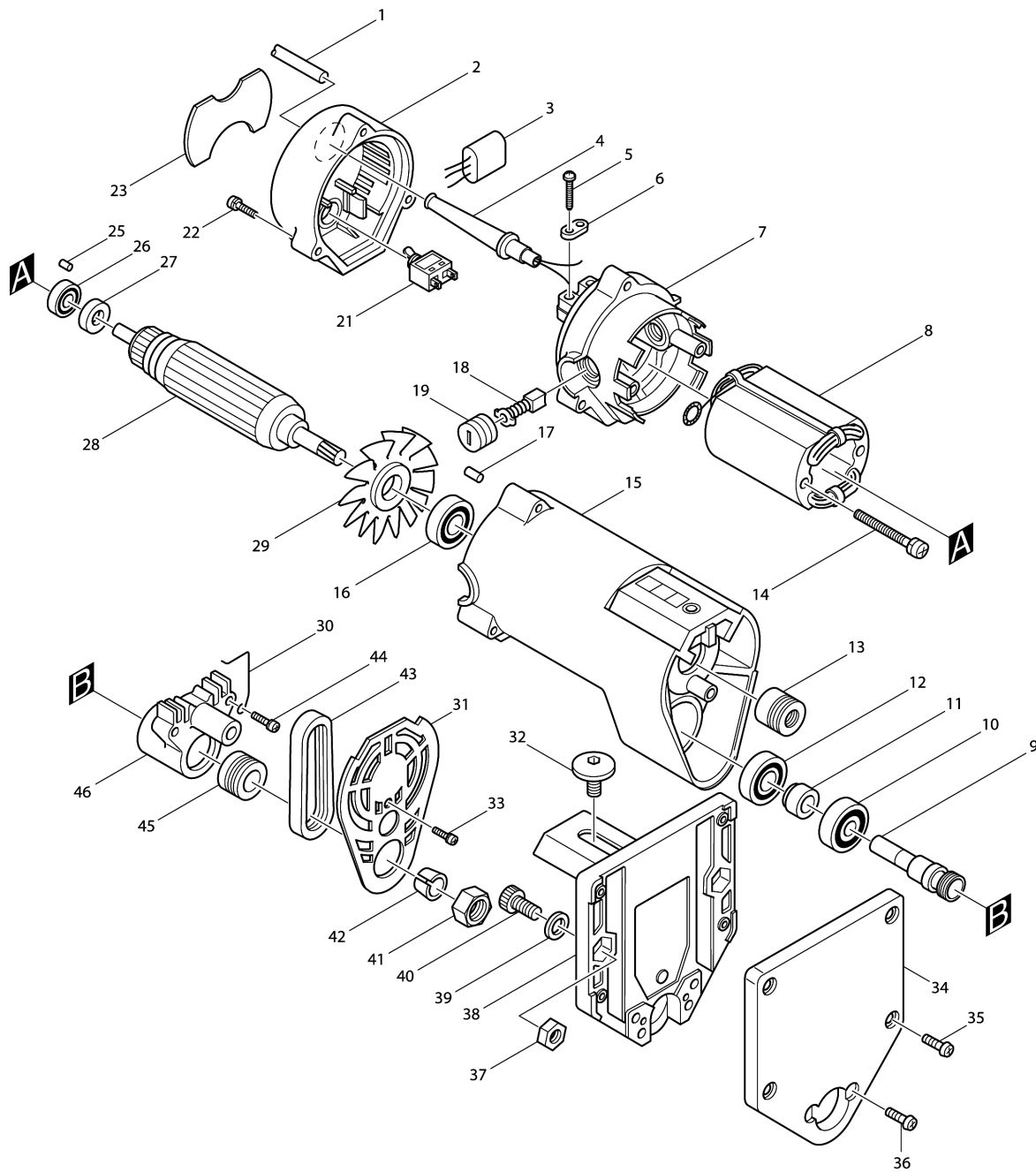


### Model No.3705 TRIMMER 6MM





## Model No.3705 TRIMMER 6MM

Item	Parts No.	Description	I/C	Qty	New/Old	Opt. 1	Opt. 2	Note
001A_	665394-6	POWER SUPPLY CORD 1.0-2-2.5		1				
002	410062-4	REAR COVER		1				
003B_	645105-5	NOISE SUPPRESSOR		1				
004A_	682502-4	CORD GUARD 8-85		1				
005-2	265941-9	TAPPING SCREW BT 4X18		2	*			
005-3	265995-6	TAPPING SCREW 4X18	O	2				
006A2	687052-4	STRAIN RELIEF		1				
007-1	159270-9	MOTOR REAR HOUSING		1				
C10	643557-4	BRUSH HOLDER 5-8		2				
D10		INC. 25						
008H_	527043-2	FIELD ASS'Y 220V		1	*			
C10	654018-9	RING TERMINAL		2	*			
C20	654501-6	CONNECTOR P-1.25		2	*			
008H1	521563-8	FIELD ASS'Y 220V	O	1				
C10	654018-9	RING TERMINAL		2				
C20	654501-6	CONNECTOR P-1.25		2				
009	321517-3	DRIVE SHAFT		1				
010	211063-3	BALL BEARING 6000LB		1	*			
010-1	211061-7	BALL BEARING 6000LLB	O	1				
011	257095-6	RING 10		1				
012	211064-1	BALL BEARING 6000		1				
013	222088-2	V-PULLEY 3-19		1				
014-1	911200-6	PAN HEAD SCREW M4X70		2				
015	156942-7	MOTOR HOUSING		1				
C10	816119-3	SCALE LABEL		1				
D10		INC 17						
016	211066-7	BALL BEARING 6200LLB		1				
017	263002-9	RUBBER PIN 4		1				
018A_	191628-6	CARBON BRUSH CB-65		1				
019	643550-8	BRUSH HOLDER CAP 5-8		2				
021A_	651467-1	SWITCH STE206K		1				
022	911168-6	PAN HEAD SCREW M4X40		3				
023	854936-3	NAME PLATE 3705		1				
025	263014-2	RUBBER PIN 4		1				
026	211028-5	BALL BEARING 627LB		1				
027	681614-0	INSULATION WASHER		1				
028E_	518070-0	ARMATURE ASS'Y 220V		1	*			
D10		INC. 16,26,27,29			*			
028E1	511478-7	ARMATURE ASS'Y 220V	O	1				
D10		INC. 16,26,27,29						
029	241100-9	FAN 52		1				
030	231930-6	TORSION BAR		1				

Please order the parts with part number.

Print Date 17/6/2019

## Model No.3705 TRIMMER 6MM

Item	Parts No.	Description	I/C	Qty	New/Old	Opt. 1	Opt. 2	Note
031	341946-4	BELT COVER		1				
032	265814-6	HEX. SOCKET HEAD BOLT M8X11		1				
033	911121-2	PAN HEAD SCREW M4X14		1				
034	410061-6	BASE PROTECTOR		1				
035	915116-7	BINDING HEAD SCREW M4X12		4				
036	915126-4	BINDING HEAD SCREW M4X16		2				
037	931403-6	HEX. NUT M8		2				
038	168139-6	BASE		1				
039	941202-8	FLAT WASHER 8		2				
040	922412-6	HEX. SOCKET HEAD BOLT M8X12		2				
041	763606-2	COLLET NUT 6		1				
042	763607-0	COLLET CONE 6MM		1	*			
042-1	763607-0	COLLET CONE 6MM	O	1				
043	225041-7	POLY V-BELT 3-170		1				
044	911131-9	PAN HEAD SCREW M4X18		2				
045	222087-4	V-PULLEY 3-23		1				
046	315618-7	BEARING BOX		1				
400	783204-6	HEX. WRENCH 6		1				
401	122281-7	GUIDE HOLDER ASS'Y		1				
402	321912-7	TEMPLET GUIDE		1				
403	410047-0	WRENCH HOLDER 5.6		1				
404	781008-0	WRENCH 17		1				
405	781003-0	WRENCH 10		1				
406	341947-2	STRAIGHT GUIDE		1				
407	163162-6	TRIMMER GUIDE		1				

Please order the parts with part number.

Print Date 17/6/2019