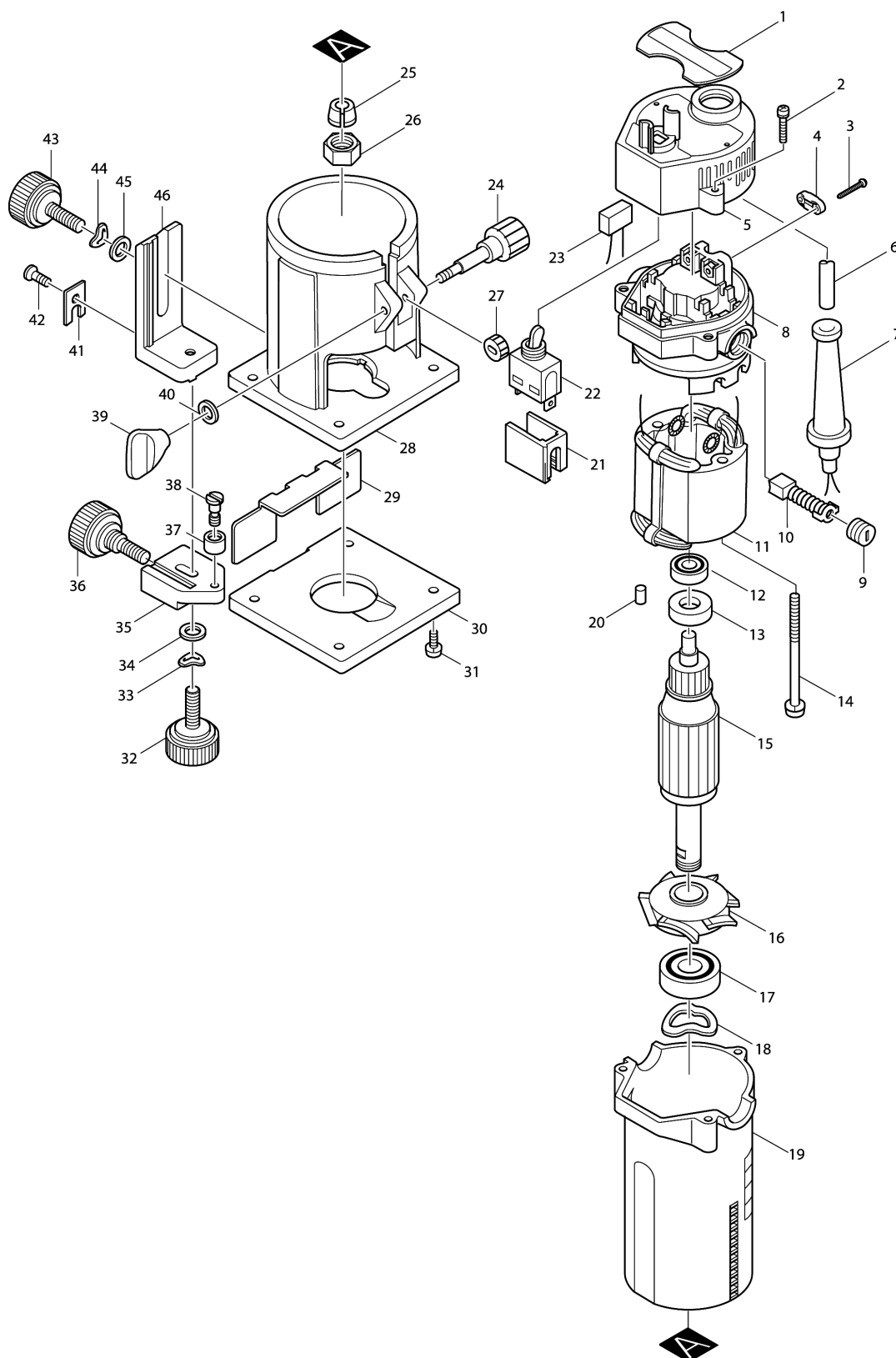


Model No.3703 TRIMMER 6MM



Model No.3703 TRIMMER 6MM

Item	Parts No.	Description	I/C	Qty	New/Old	Opt. 1	Opt. 2	Note
001	856566-6	NAME PLATE 3703		1				
002	911168-6	PAN HEAD SCREW M4X40		3				
003-1	265941-9	TAPPING SCREW BT 4X18		2	*			
003-2	265995-6	TAPPING SCREW 4X18	O	2				
004B2	687052-4	STRAIN RELIEF		1				
005	410062-4	REAR COVER		1				
006P_	665394-6	POWER SUPPLY CORD 1.0-2-2.5		1				
007A_	682502-4	CORD GUARD 8-85		1				
008-2	159301-4	MOTOR REAR HOUSING		1				
C10	643917-0	BRUSH HOLDER		2	*			
C11	643932-4	BRUSH HOLDER 6X9	O	2				
D10		INC. 20						
009	643550-8	BRUSH HOLDER CAP 5-8		2				
010C_	191940-4	CARBON BRUSH CB-411		1				
011C1	593148-0	FIELD ASS'Y 220V		1				
C10	654100-4	RING TERMINAL		2				
C20	654501-6	CONNECTOR P-1.25		2				
012	211028-5	BALL BEARING 627LB		1				
013	681614-0	INSULATION WASHER		1				
014-2	911596-5	PAN HEAD SCREW M4X70		2				
015C1	511918-5	ARMATURE ASS'Y 220V		1				
D10		INC. 12,13,16,17						
016	241615-6	FAN 52		1	*			
016-1	241516-8	FAN 52	X	1	*			
016-2	241615-6	FAN 52	X	1				
017-1	211223-7	BALL BEARING 6002DDW		1	*			
017-2	211223-7	BALL BEARING 6002DDW	O	1	*			
017-3	211489-9	BALL BEARING 6002LLUX	O	1				
018	253905-5	WAVE WASHER 23		1				
019	414567-6	MOTOR HOUSING		1				
020	263014-2	RUBBER PIN 4		1				
021	410069-0	SWITCH HOLDER		1				
022A_	651467-1	SWITCH STE206K		1				
023A_	645105-5	NOISE SUPPRESSOR		1				
024	251890-6	SCREW M5X33		1				
025	763607-0	COLLET CONE 6MM		1	*			
025-1	763607-0	COLLET CONE 6MM	O	1				
026	763606-2	COLLET NUT 6		1				
027	226217-9	SPUR GEAR 16		1				
028	411930-4	BASE		1				
029	411115-2	CHIP DEFLECTOR		1	*			
029-1	418647-0	CHIP DEFLECTOR	O	1				

Please order the parts with part number.

Print Date 17/6/2019

Model No.3703 TRIMMER 6MM

Item	Parts No.	Description	I/C	Qty	New/Old	Opt. 1	Opt. 2	Note
030	410585-2	BASE PROTECTOR		1				
031	251308-7	+ PAN HEAD SCREW M4X10		4				
032	251815-0	SCREW M6X25		1	*			
032-1	265763-7	THUMB SCREW M6X25	O	1				
033	253903-9	WAVE WASHER 6		1	*			
034	941151-9	FLAT WASHER 6		1				
035	312650-2	TRIMMER GUIDE		1	*			
035-1	317789-6	TRIMMER GUIDE	O	1				
036	251819-2	SCREW M6		1	*			
036-1	265764-5	THUMB SCREW M6	O	1				
037	323495-3	ROLLER 11		1	*			
037-1	324378-0	ROLLER 11	O	1				
038	251420-3	- FLAT HEAD SCREW M5		1	*			
038-1	251471-6	- FLAT HEAD SCREW M5	O	1				
039	252632-1	WING NUT M5		1				
040	941101-4	FLAT WASHER 5		1				
041	341136-9	HOOK		1				
042	912116-8	COUNTERSUNK HEAD SCREW M4X12		1	*			
042-1	265135-6	+ COUNTERSUNK HEAD SCREW M4X10	O	1				
043	251815-0	SCREW M6X25		1	*			
043-1	265763-7	THUMB SCREW M6X25	O	1				
044	253903-9	WAVE WASHER 6		1	*			
045	941151-9	FLAT WASHER 6		1				
046	312396-0	GUIDE HOLDER		1	*			
046-1	317788-8	GUIDE HOLDER	O	1				
047	122389-7	TRIMMER GUIDE ASS'Y		1	*			
D10		INC. 32-38,41,42,46			*			
047-1	122703-7	TRIMMER GUIDE ASS'Y	O	1				
D10		INC 32,34-38,41,42,46						
A01	251919-8	CAP SQUARE NECK BOLT M6X20		1				
A02	343593-7	GUIDE PLATE		1				
A03	122391-0	STRAIGHT GUIDE ASS'Y		1				
C10	343594-5	STRAIGHT GUIDE		1				
D10		INC. A01,A02,A04-A06						
A04	941151-9	FLAT WASHER 6		1				
A05	253903-9	WAVE WASHER 6		1				
A06	934301-3	WING NUT M6		1				
A07	343577-5	TEMPLET GUIDE 10		1				
A08	781003-0	WRENCH 10		1	*			
A08-1	781036-5	WRENCH 10	O	1				
A09	781008-0	WRENCH 17		1				

Please order the parts with part number.

Print Date 17/6/2019

Model No.3703 TRIMMER 6MM

Item	Parts No.	Description	I/C	Qty	New/Old	Opt. 1	Opt. 2	Note
A10	793076-1	STRAIGHT BIT 6		1	*			
A10-1	D-09167	STRAIGHT BITS 6	O	1				

Please order the parts with part number.

Print Date 17/6/2019