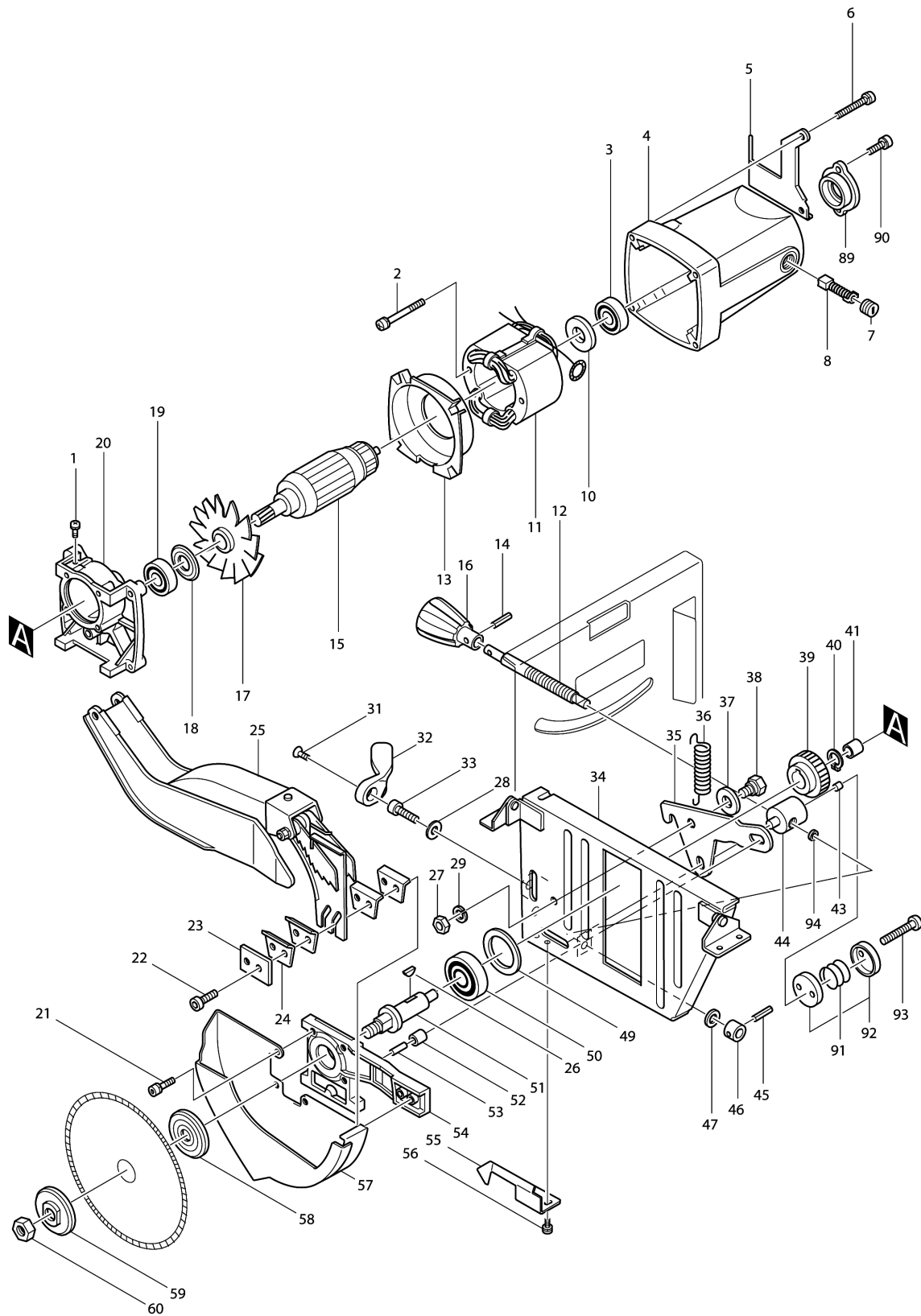
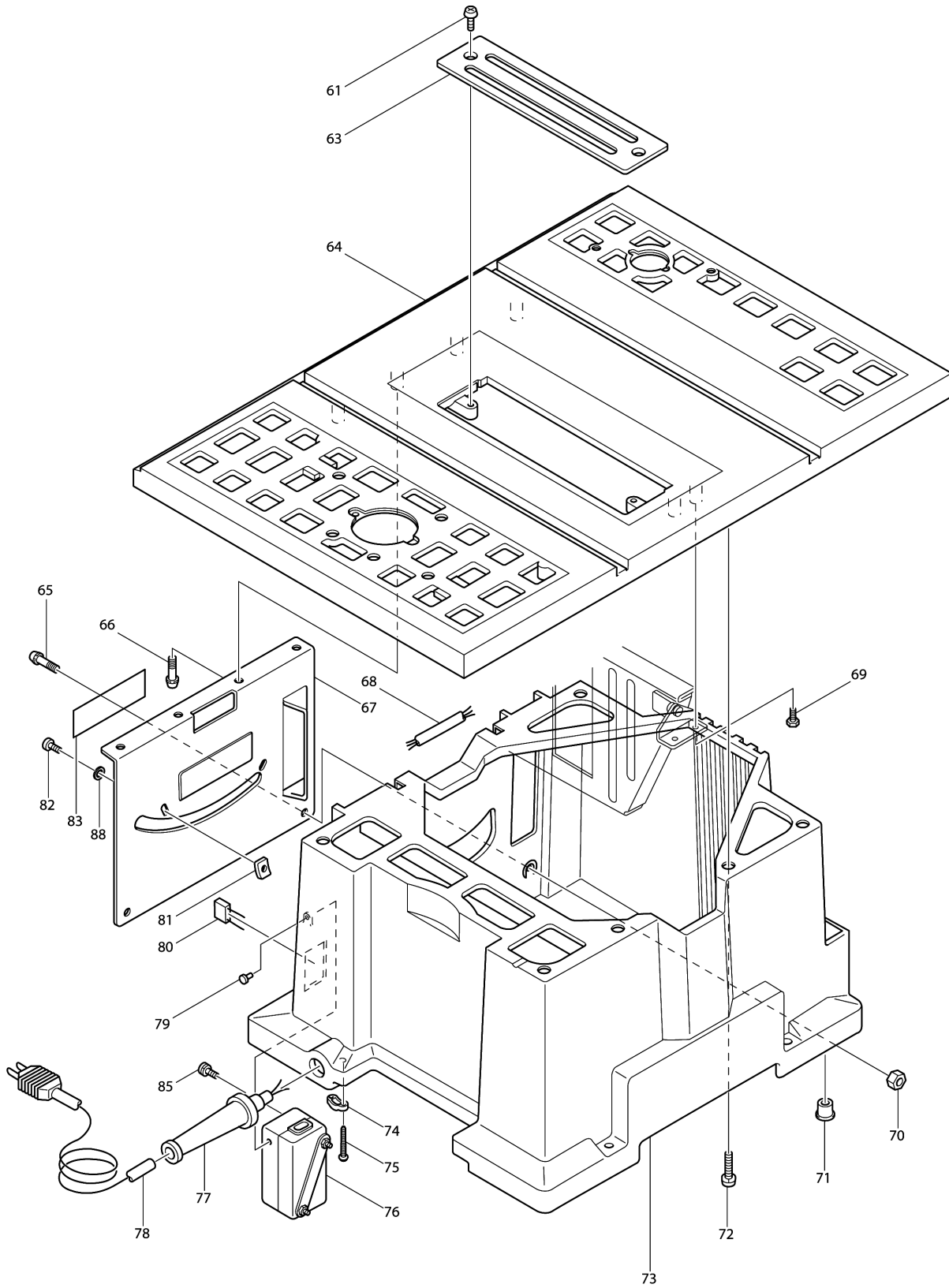


Model No.2708 TABLE SAW 203MM



Model No.2708 TABLE SAW 203MM



Model No.2708 TABLE SAW 203MM

Item	Parts No.	Description	I/C	Qty	New/Old	Opt. 1	Opt. 2	Note
001	652012-5	PAN HEAD SCREW M4X8		1				
002-1	911290-9	PAN HEAD SCREW M5X65		2				
003	211068-3	BALL BEARING 6200LB		1				
004-1	157243-6	MOTOR HOUSING		1				
005	341887-4	POINTER B		1				
006	911263-2	PAN HEAD SCREW M5X40		4				
007	643650-4	BRUSH HOLDER CAP 6.5-13.5		2	*			
007-1	643650-4	BRUSH HOLDER CAP 6.5-13.5	O	2				
008-1	181044-0	CARBON BRUSH CB-153		1				
010-1	681623-9	INSULATION WASHER		1				
011C_	524698-4	FIELD ASS'Y 220V		1				
012	321478-7	SCREW BAR M12		1				
013	411448-5	BAFFLE PLATE		1				
014	951157-9	SPRING PIN 5-16		1				
015A_	514552-0	ARMATURE ASS'Y 220V		1				
D10		INC. 3,10,17-19						
016	271254-8	KNOB 45		1				
017-1	241515-0	FAN 92		1				
018	213202-1	DUST SEAL 15		1				
019	211206-7	BALL BEARING 6202LLB		1				
020	315431-3	GEAR HOUSING		1				
021	911241-2	PAN HEAD SCREW M5X25		4				
022-2	922316-2	HEX. SOCKET HEAD BOLT M6X14		2				
023	341927-8	PRESSURE PLATE		1				
024	341928-6	ADJUST WASHER		4				
025-1	168192-2	BLADE GUARD		1				
026	254013-5	WOODRUFF KEY 5		1				
027	931502-4	HEX. NUT M10		1				
028-1	253024-7	FLAT WASHER 10		1	*			
028-2	257008-7	RING 10	S	1				
029	942251-8	SPRING WASHER 10		1				
031-1	912312-8	COUNTERSUNK HEAD SCREW M6X12		1	*			
031-2	922243-3	HEX. SOCKET HEAD BOLT M5X25	S	1				
032-1	272224-0	LEVER 95		1	*			
032-2	154686-3	LEVER 90 COMPLETE	S	1				
033-1	265920-7	SET BOLT M10X18		1	*			
033-2	266372-5	SET BOLT M10X18	S	1				
034	168098-4	FRAME		1				
035	341870-1	LINK		1				
036	231758-2	TENSION SPRING 13		1				
037	253813-0	FLAT WASHER 12		1				

Please order the parts with part number.

Print Date 17/6/2019

Model No.2708 TABLE SAW 203MM

Item	Parts No.	Description	I/C	Qty	New/Old	Opt. 1	Opt. 2	Note
038	265279-2	HEX. BOLT M10		1				
039-1	221731-0	HELICAL GEAR 45		1				
040	961060-6	RETAINING RING S-20		1				
041	212066-0	NEEDLE BEARING 1015		1				
043-1	263015-0	NYLON PIN 10		1				
044-1	321741-8	FEED NUT		1				
045	951157-9	SPRING PIN 5-16		1				
046	257588-3	SLEEVE 9		1				
047	253733-8	FLAT WASHER 9		1				
049	253847-3	FLAT WASHER 40		1				
050	211306-3	BALL BEARING 6204LLB		1				
051	321477-9	SPINDLE		1				
052-1	257626-1	SLEEVE 8		1				
053-2	256165-8	PIN 8		1				
054-1	311574-9	GEAR HOUSING COVER		1				
055	341886-6	POINTER A		1				
056	911204-8	PAN HEAD SCREW M5X8		2				
057	164622-1	BLADE COVER		1				
058	224195-7	INNER FLANGE 55		1				
059	224196-5	OUTER FLANGE 55		1				
060	931602-0	HEX. NUT M12		1				
061-1	911312-5	PAN HEAD SCREW M6X12		2				
063-2	342788-9	TABLE INSERT		1				
064-3	155863-0	TABLE COMPLETE		1				
065	911316-7	PAN HEAD SCREW M6X14		2				
066	911316-7	PAN HEAD SCREW M6X14		4				
067-1	155623-0	FRONT PLATE COMPLETE		1				
068A_	664974-5	POWER SUPPLY CORD AWG#16-3-0.7		1				
069-2	265391-8	+HEX. BOLT M6X16		4				
070	931302-2	HEX. NUT M6		2				
071	286202-4	CAP 20		4				
072	911344-2	PAN HEAD SCREW M6X25		6				
073C_	155815-1	BASE COMPLETE		1	*			
073C1	134738-6	BASE ASS'Y	S	1				
C10	817743-5	CAUTION LABEL		1				
D10		INC. 71						
074C_	687002-9	STRAIN RELIEF		1	*			
074C1	687052-4	STRAIN RELIEF	X	1	*			
074C2	687053-2	STRAIN RELIEF	X	1				
075-3	911148-2	PAN HEAD SCREW M4X25		2	*			
075-4	265995-6	TAPPING SCREW 4X18	X	2				
076B2	651881-1	SWITCH 2BSO-2		1				

Please order the parts with part number.

Print Date 17/6/2019

Model No.2708 TABLE SAW 203MM

Item	Parts No.	Description	I/C	Qty	New/Old	Opt. 1	Opt. 2	Note
077D_	682550-3	CORD GUARD 10		1	*			
077D1	682540-6	CORD GUARD 9.3-90	X	1	*			
077D2	682505-8	CORD GUARD 10-90	O	1				
078L_	665231-4	POWER SUPPLY CORD 1.00-3-2.5		1				
079	411447-7	LOCK OFF SWITCH BUTTON		1				
080A_	645169-9	NOISE SUPPRESSOR		1	*			
080A1	645105-5	NOISE SUPPRESSOR	X	1				
081-1	342789-7	STOPPER PLATE		2				
082-2	922307-3	HEX. SOCKET HEAD BOLT M6X10		2				
083	854783-2	NAME PLATE 2708		1				
085A1	911133-5	PAN HEAD SCREW M4X18		2				
088-1	941151-9	FLAT WASHER 6		2				
089	312749-3	BEARING BOX		1				
090	911221-8	PAN HEAD SCREW M5X16		2				
091	231378-2	COMPRESSION SPRING 24		1				
092	342797-8	RETAINER		2				
093	911252-7	PAN HEAD SCREW M5X30		2				
094	267015-2	FLAT WASHER 9		1				
400	271401-1	KNOB 32		1				
401	253047-5	FLAT WASHER 6		1				
402-1	315130-7	ANGLE RULE		1				
407	265809-9	CAP SQUARE NEC BOLT M8X500		1				
408	315432-1	RULE HOLDER		1	*			
408-1	316665-1	RULE HOLDER	O	1				
410	341888-2	RULE UNDER PLATE		1				
411-2	265391-8	+HEX. BOLT M6X16		2				
412	164620-5	RULER		1				
413-2	265391-8	+HEX. BOLT M6X16		2				
414	911214-5	PAN HEAD SCREW M5X12		1				
415	816099-3	INDICATION PLATE		1				
416	273465-1	GRIP 28		1				
424	783203-8	HEX. WRENCH 5		1				
425	411447-7	LOCK OFF SWITCH BUTTON		2				
426	342690-6	SPACER		3				

Please order the parts with part number.

Print Date 17/6/2019