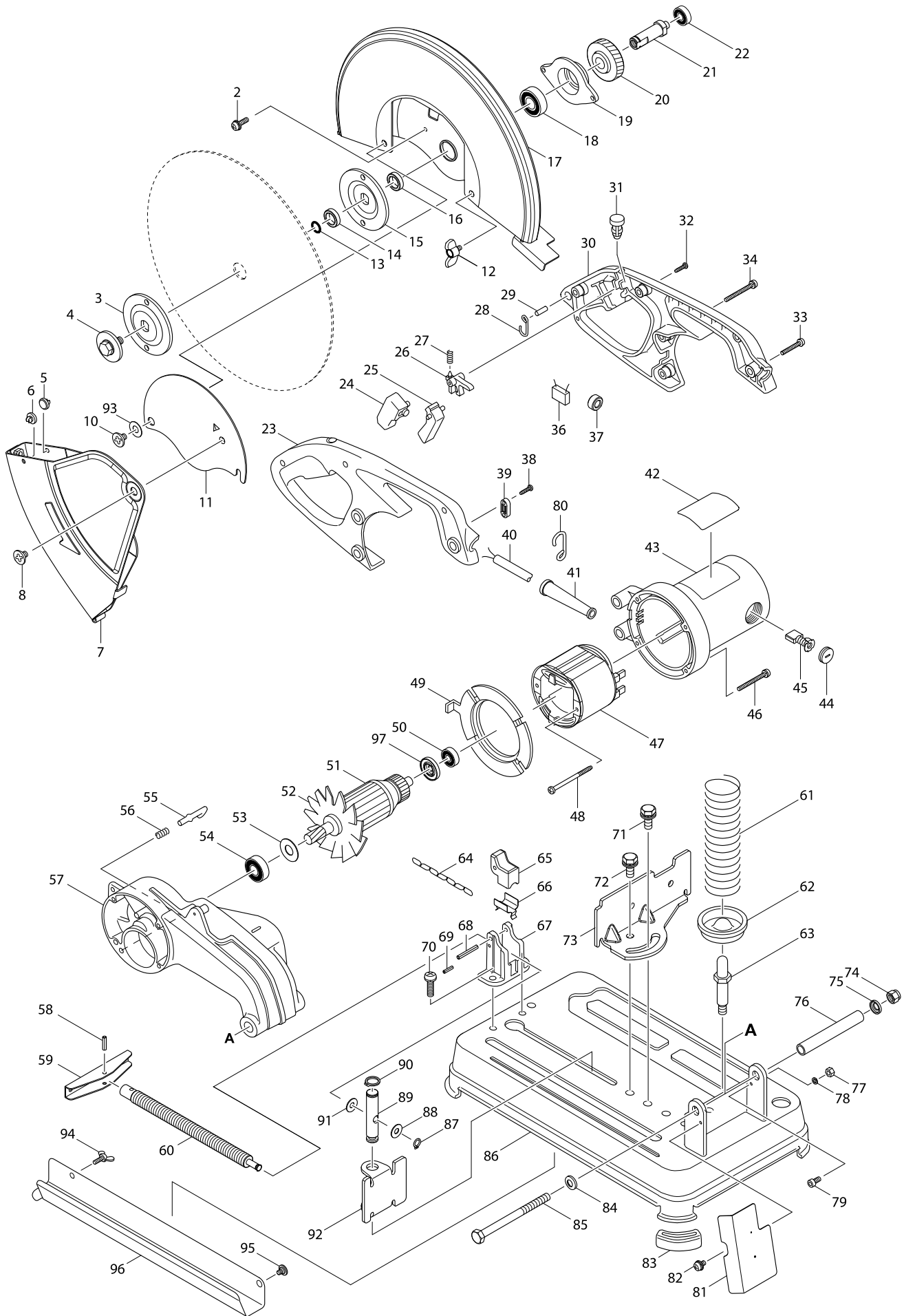


Model No. 2414EN 355MM PORTABLE CUT-OFF



Model No. 2414EN 355MM PORTABLE CUT-OFF

Item	Parts No.	Description	I/C	Qty	N/O	Opt. 1	Opt. 2	Note
002	911333-7	PAN HEAD SCREW M6X20		4				
003	224456-5	FLANGE 90		1				
004	251680-7	HEX. BOLT M10X25		1				
005	418142-0	PLUG		1				
006	418142-0	PLUG		1				
007	165710-7	SAFETY GUIDE		1	*			
007-1	165710-7	SAFETY GUIDE	O	1				
008	265121-7	+ FLAT HEAD SCREW M6		1				
010	265121-7	+ FLAT HEAD SCREW M6		1				
011	346639-8	CENTER COVER		1				
012	251887-5	SCREW M6X10		1				
013	213162-7	O RING 14		1				
014	257255-0	RING 17		1				
015	224456-5	FLANGE 90		1				
016	257255-0	RING 17		1				
017	165709-2	SAFETY COVER		1				
018	211256-2	BALL BEARING 6203LLB		1	*			
018-1	211282-1	BALL BEARING 6203ZZ	O	1				
019	316527-3	BEARING BOX		1				
020	226415-5	HELICAL GEAR 41		1				
021	322633-4	SPINDLE		1				
022	211064-1	BALL BEARING 6000		1	*			
022-1	210067-2	BALL BEARING 6000ZZ	O	1				
023	182628-7	HANDLE SET		1				
D10		INC. 30						
024	651922-3	SWITCH TG71B		1				
025	152463-7	SWITCH LEVER COMPLETE		1				
026	415366-9	SWITCH LOCK		1				
027	231397-8	COMPRESSION SPRING 4		1				
028	281207-9	HANGER		1	*			
028-1	281216-8	HANGER	O	1				
029	256012-3	PIN 6		1	*			
029-1	268101-2	PIN 6	O	1				
030	182628-7	HANDLE SET		1				
D10		INC. 23						
031	417113-4	SWITCH BUTTON		1				
032	265995-6	TAPPING SCREW 4X18		4				
033	911258-5	PAN HEAD SCREW M5X35		1				
034	911273-9	PAN HEAD SCREW M5X50		2				
036	645200-1	NOISE SUPPRESSOR		1				
037	688131-1	LINE FILTER		1				
038	265995-6	TAPPING SCREW 4X18		2				
039	687124-5	STRAIN RELIEF		1				
040	665865-3	POWER SUPPLY CORD 1.0-2-2.5		1				
041	682540-6	CORD GUARD 9.3-90		1				
042	897914-0	2414EN NAME PLATE		1				
043	141788-4	MOTOR HOUSING COMPLETE		1				
C10	632A56-7	SUPPORT UNIT		1				

Model No. 2414EN 355MM PORTABLE CUT-OFF

Item	Parts No.	Description	I/C	Qty	N/O	Opt. 1	Opt. 2	Note
C20	643707-1	BRUSH HOLDER		2				
044	643700-5	BRUSH HOLDER CAP 7-18		2				
045	191953-5	CARBON BRUSH CB-203		1				
046	911273-9	PAN HEAD SCREW M5X50		4				
047	636008-4	FIELD 220V		1				
048	266059-9	TAPPING SCREW 5X75		2				
049	415369-3	BAFFLE PLATE		1				
050	210042-8	BALL BEARING 629LLB		1				
051	510240-7	ARMATURE ASS'Y 220V		1				
D10		INC. 50,52-54,97						
052	241515-0	FAN 92		1				
053	267714-6	WASHER 15		1				
054	211228-7	BALL BEARING 6202DDW		1				
055	322665-1	STOPPER		1				
056	231240-1	COMPRESSION SPRING 7		1				
057	150916-0	GEAR HOUSING COMPLETE		1				
C10	263005-3	RUBBER PIN 6		1				
058	951163-4	SPRING PIN 5-20		1				
059	272027-2	HANDLE 120		1				
060	324323-5	WISE SCREW		1				
061	233113-4	COMPRESSION SPRING 45		1				
062	165066-8	SPRING HOLDER		1				
063	265407-9	HEX.BOLT M10		1				
064	282015-1	CHAIN		1				
065	313114-9	WISE NUT		1				
066	345311-9	PLATE		1				
067	317662-0	SCREW GUIDE		1				
068	951175-7	SPRING PIN 5-36		1				
069	951110-5	SPRING PIN 4-16		1				
070	265125-9	PAN HEAD SCREW M8X30		2				
071	265201-9	HEX. BOLT M10X25		1				
072	265201-9	HEX. BOLT M10X25		1				
073	346637-2	GUIDE PLATE		1				
074	252130-5	HEX. LOCK NUT M10-17		1				
075	267713-8	CUP WASHER 10		1				
076	331428-4	PIN 16-113		1				
077	931302-2	HEX. NUT M6		1				
078	942151-2	SPRING WASHER 6		1				
079	922312-0	HEX. SOCKET HEAD BOLT M6X12		1				
080	322049-3	HOOK		1				
081	165705-0	SPARK GUARD		1				
082	911308-6	PAN HEAD SCREW M6X10		1				
083	421487-7	CUSHION		3				
084	267713-8	CUP WASHER 10		1				
085	265406-1	HEX. BOLT M10X130		1				
086	165717-3	BASE		1				
087	961004-6	RETAINING RING S-8		1				
088	267257-8	FLAT WASHER 8		1				

