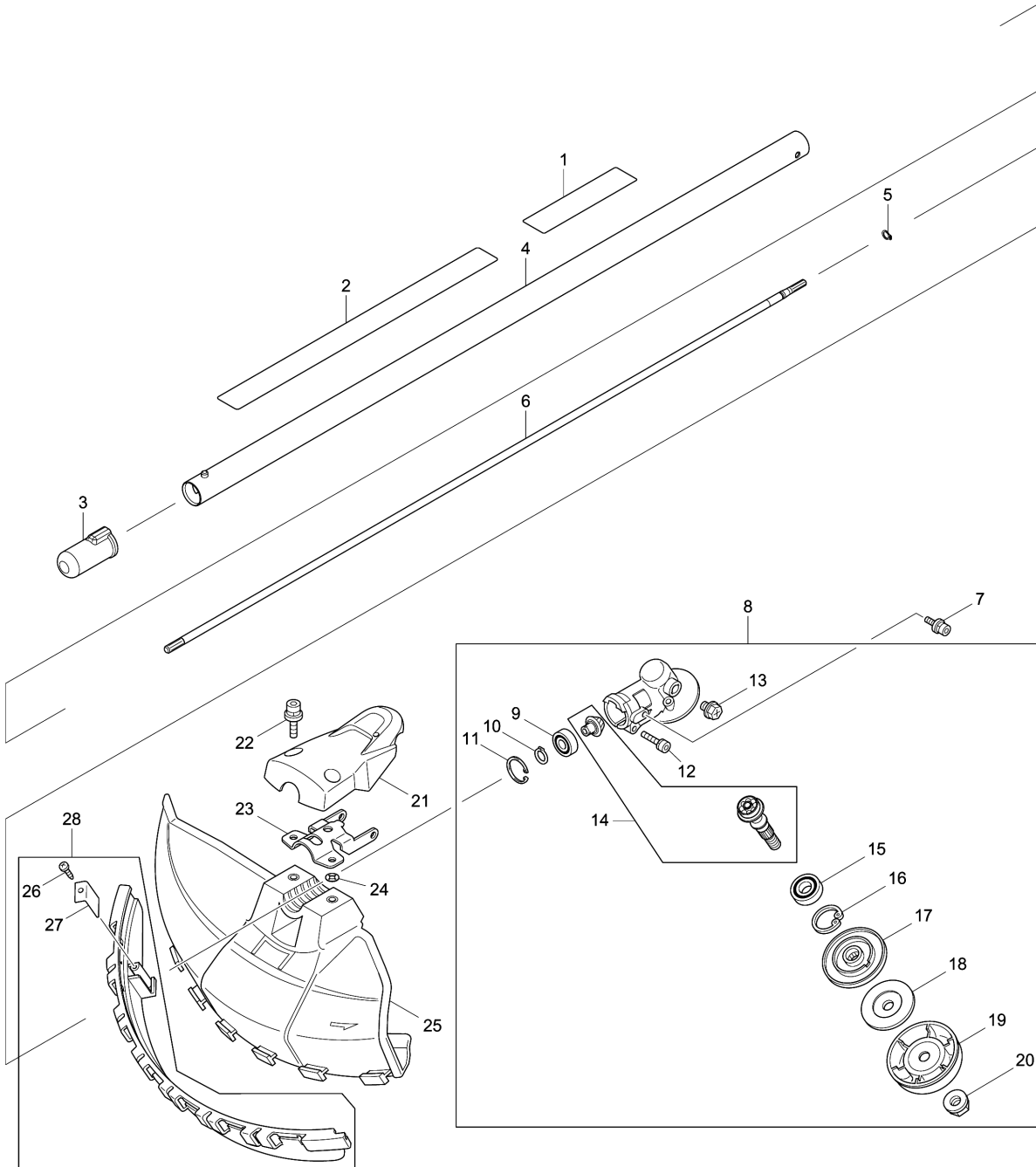


Model No.BCCS BRUSHCUTTER ATTACHMENT



Model No.BCCS BRUSHCUTTER ATTACHMENT

Item	Parts No.	Description	I/C	Qty	New/Old	Opt. 1	Opt. 2	Note
001	893388-3	DOLMAR LOGO LABEL		1				
002	893511-0	CAUTION LABEL		1				
003	424434-7	CAP 24		1				
004	141010-9	SHAFT PIPE A COMPLETE		1				
005	961003-8	RETAINING RING S-7		1				
006	326088-5	SHAFT A		1				
007	922218-2	H.S.H.BOLT M5X14 WITH WR		2				
008	125556-3	GEAR CASE ASSEMBLY		1	*			
D10		INC. 8-20			*			
008-1	123833-7	GEAR CASE ASSEMBLY	S	1				
D10		INC. 8-11,13-20						
009	210049-4	BALL BEARING 609ZZ		1	*			
009-1	210157-1	BALL BEARING 609ZZ	O	1				
010	961005-4	RETAINING RING S-9		1	*			
010-1	257986-1	RETAINING RING (EXT) S-9	O	1				
011	962103-7	RETAINING RING R-24		1	*			
011-1	257987-9	RETAINING RING (INT)R-24	O	1				
012	922241-7	HEX. SOCKET HEAD BOLT M5X25		1				
013	265590-2	+HEX.BOLT M8X10 WITH R		1				
014	188902-1	CUTTER SHAFT SET		1	*			
014-1	183A00-2	CUTTER SHAFT SET	O	1	*			
014-2	183K10-9	CUTTER SHAFT SET	O	1				
015	210115-7	BALL BEARING 6001LLU		1				
016	962106-1	RETAINING RING R-28		1	*			
016-1	257407-3	RETAINING RING (INT)R-28	O	1				
017	331861-0	RECEIVE WASHER		1	*			
017-1	326821-5	RECEIVE WASHER	O	1				
018	346084-7	CLAMP WASHER		1				
019	168526-9	CUP		1				
020	264025-0	HEX. NUT M10-17		1				
021	451097-6	PROTECTOR COVER		1				
022	266579-3	HEX SOCKET HEAD BOLT M6X30		2				
023	346073-2	PROTECTOR CLAMP		1				
024	413143-3	WASHER		2				
025	452260-4	PROTECTOR		1				
026	266326-2	TAPPING SCREW 4X18		1				
027	346074-0	CUTTER		1				
028	135398-7	PROTECTOR EXTENSION ASSY		1				
D10		INC. 26,27						
A01	122936-4	TRIMMER HEAD ASSEMBLY 94-M10L		1				

Model No.BCCS BRUSHCUTTER ATTACHMENT

Item	Parts No.	Description	I/C	Qty	New/Old	Opt. 1	Opt. 2	Note
A02	195517-7	TOOL SET		1				

Please order the parts with part number.

Print Date 24/9/2020