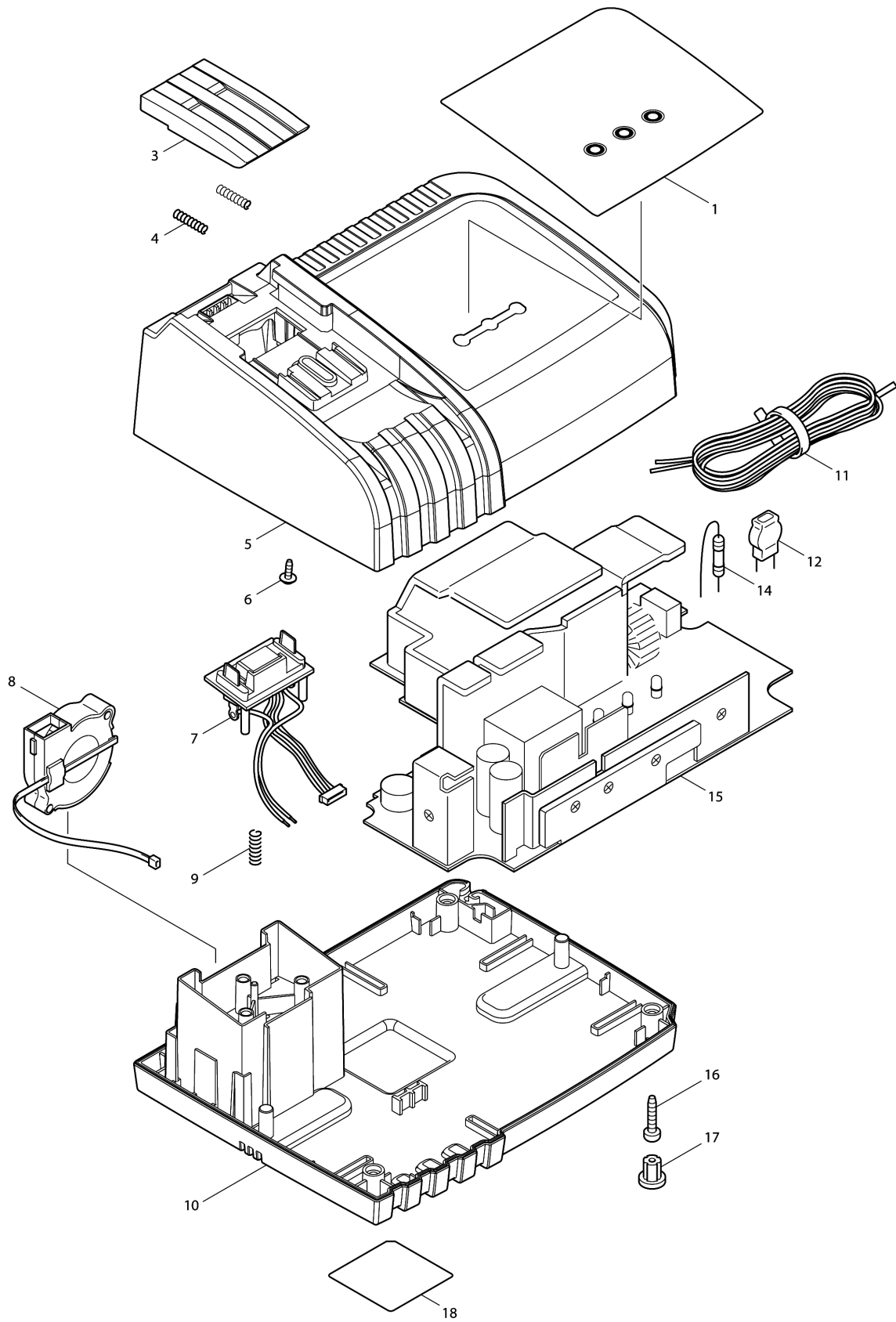


Model No.DC36RA FAST CHARGER



Model No.DC36RA FAST CHARGER

Item	Parts No.	Description	I/C	Qty	New/Old	Opt. 1	Opt. 2	Note
001	808579-3	CHAGING CONDITION LABEL		1				
003	419569-7	TERMINAL COVER		1				
004	231474-6	COMPRESSION SPRING 4		2				
005	158849-3	CHARGER CASE COMPLETE		1				
006	266278-7	TAPPING SCREW FLANGE BT3X10		1				
007	638654-9	TERMINAL UNIT		1				
008	638499-5	SCIROCCO FAN		1				
009	233194-8	COMPRESSION SPRING 4		1				
010	450861-2	CHARGER CASE COVER		1				
011	667861-7	POWER SUPPLY CORD		1	*			
011-1	667985-9	VINYL CORD 0.75-2-2.0	<	1				
012	647306-1	VARISTOR		1				
014	652786-8	FUSE		1				
015	631878-6	CHARGING CIRCUIT		1				
D10		INC. 12,14						
016	266497-5	TAPPING SCREW 4X20		4				
017	286255-3	CAP 13		4				
018	866393-3	DC36RA NAME PLATE		1				

Please order the parts with part number.

Print Date 9/9/2020