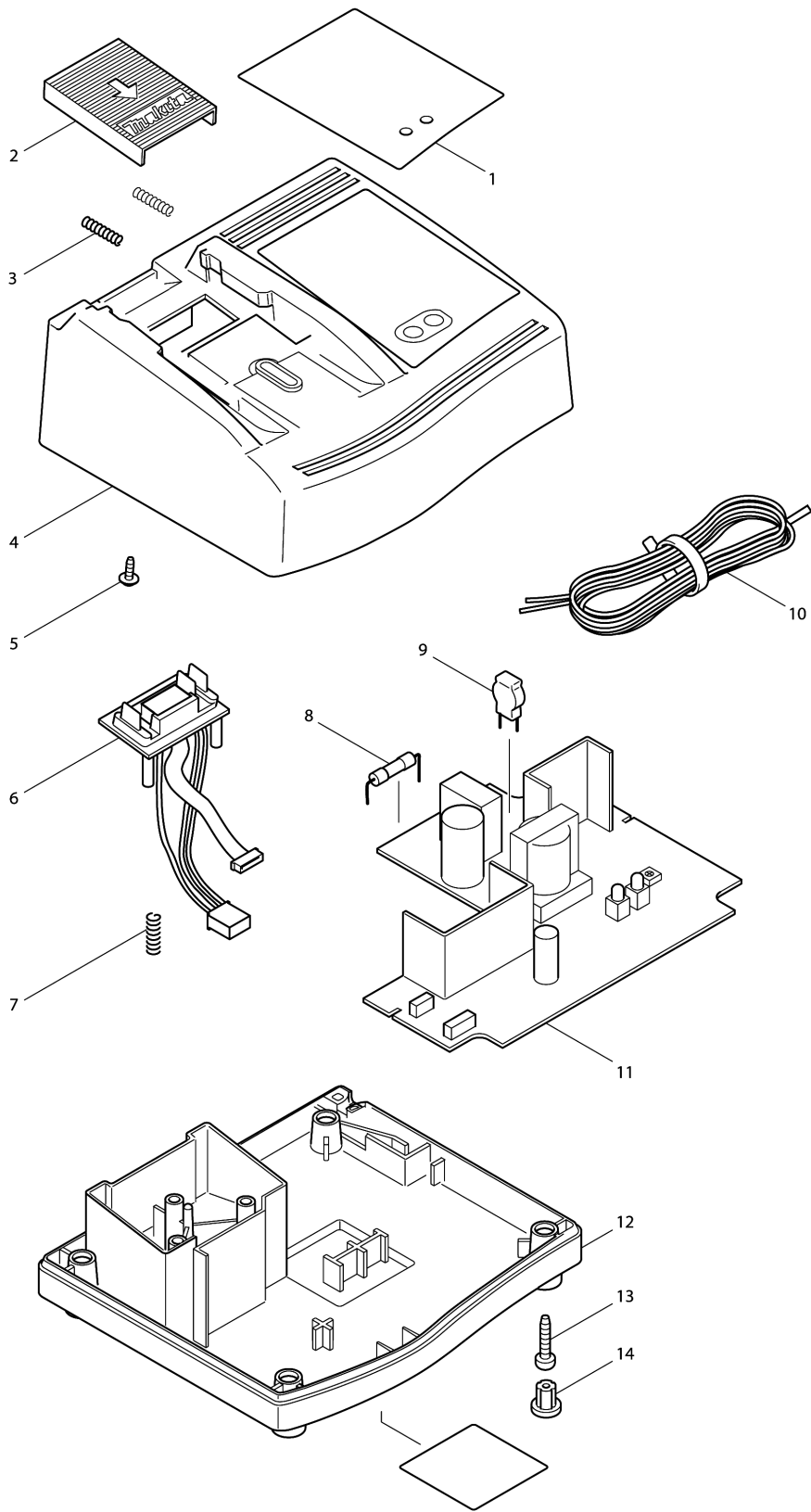


Model No.DC24WA CHARGER



Model No.DC24WA CHARGER

Item	Parts No.	Description	I/C	Qty	New/Old	Opt. 1	Opt. 2	Note
001	801370-8	CHARGING CONDITION LABEL		1				
002	418181-0	TERMINAL COVER		1				
003	231474-6	COMPRESSION SPRING 4		2				
004	183617-5	CHARGER CASE SET		1				
D10		INC. 12						
005	266278-7	TAPPING SCREW FLANGE BT3X10		1				
006	638238-3	TERMINAL UNIT		1				
007	233194-8	COMPRESSION SPRING 4		1				
008	652747-8	FUSE 250V 2.5A		1	*			
008-1	652780-0	FUSE	O	1				
009	647306-1	VARISTOR		1				
010	667985-9	VINYL CORD 0.75-2-2.0		1				
011	631547-9	CIRCUIT BOARD		1				
D10		INC. 8,9						
012	183617-5	CHARGER CASE SET		1				
D10		INC. 4						
013	265874-8	TAPPING SCREW BT 4X20		4	*			
013-1	266346-6	TAPPING SCREW BT 4X20	O	4	*			
013-2	265B01-9	TAPPING SCREW PT 4X20	<	4				
014	286255-3	CAP 13		4				

Please order the parts with part number.

Print Date 9/9/2020