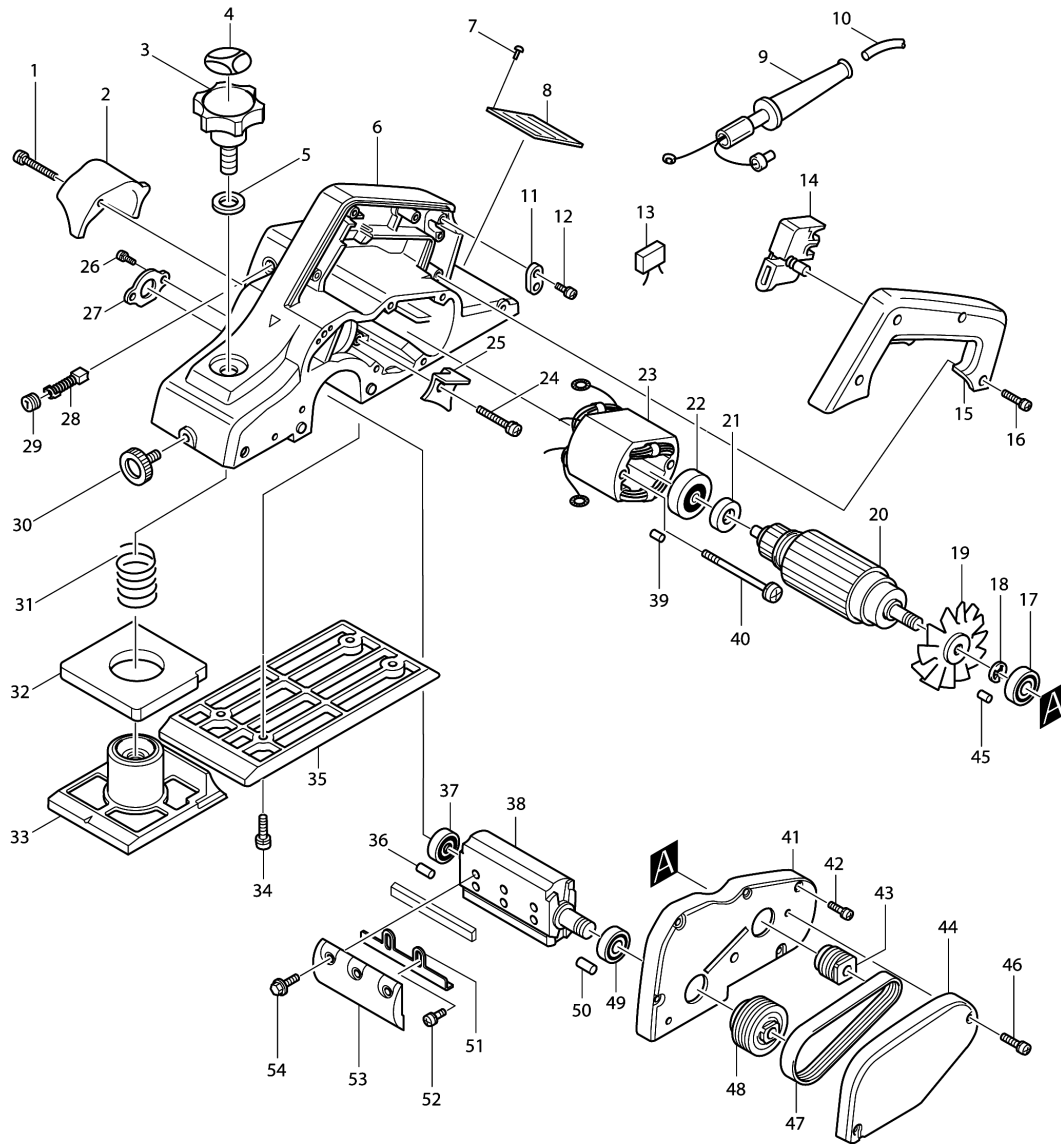


Model No.1901 POWER PLANER 82MM



Model No.1901 POWER PLANER 82MM

Item	Parts No.	Description	I/C	Qty	New/Old	Opt. 1	Opt. 2	Note
001	911128-8	P.H.SCREW M4X16 WITH WR		1				
002B1	415479-6	CHIP COVER		1				
003	271231-0	KNOB 46		1				
004	812004-8	SCALE LABEL		1				
005-1	253796-4	FLAT WASHER 10		1	*			
005-2	941251-5	FLAT WASHER 10	X	1				
006	156931-2	MAIN FRAME		1				
C10	643556-6	BRUSH HOLDER 5-8		2				
C20	913206-0	SET SCREW M5X8		2				
D10		INC. 39						
007-1	953106-2	RIVET 0-5		2				
008	854704-4	NAME PLATE 1901		1				
009A_	682504-0	CORD GUARD 10-85		1				
010Q_	665516-8	POWER SUPPLY CORD 1.00-2-2.5		1				
011	687001-1	STRAIN RELIEF		1				
012-1	911133-5	PAN HEAD SCREW M4X18		2				
013A_	645208-5	NOISE SUPPRESSOR		1				
014J1	651234-4	SWITCH SGE206C		1	*			
014J2	651239-4	SWITCH SGES206C	X	1				
015A_	411987-5	HANDLE COVER		1	*			
015A1	410053-5	HANDLE COVER	X	1				
016	911158-9	PAN HEAD SCREW M4X30		4				
017	211061-7	BALL BEARING 6000LLB		1				
018	961015-1	STOP RING E-9		1				
019-1	241510-0	FAN 52		1				
020C1	511663-2	ARMATURE ASS'Y 220V		1	*			
D10		INC. 17-19,21,22			*			
020C2	511938-9	ARMATURE ASS'Y 220V	X	1				
D10		INC. 17-19,21,22						
021	681614-0	INSULATION WASHER		1				
022	211028-5	BALL BEARING 627LB		1				
023C_	521125-2	FIELD ASS'Y 220V		1				
C10	654018-9	RING TERMINAL		2				
C20	654501-6	CONNECTOR P-1.25		2				
024	911128-8	P.H.SCREW M4X16 WITH WR		1				
025	411153-4	AUXILIARY BAFFLE PLATE		1				
026	911111-5	PAN HEAD SCREW M4X10 WITH W		2				
027	285012-6	BEARING COVER 30		1				
028A_	181021-2	CARBON BRUSH CB-51		1				
029	643550-8	BRUSH HOLDER CAP 5-8		2				
030	251812-6	SCREW M5X10		1				

Please order the parts with part number.

Print Date 17/6/2019

Model No.1901 POWER PLANER 82MM

Item	Parts No.	Description	I/C	Qty	New/Old	Opt. 1	Opt. 2	Note
031	231004-3	COMPRESSION SPRING 18		1				
032	421007-7	RUBBER PACKING		1				
033	312566-1	FRONT BASE		1				
034	911226-8	PAN HEAD SCREW M5X18		4				
035	312023-9	BASE		1				
036	263002-9	RUBBER PIN 4		1				
037	211032-4	BALL BEARING 608ZZ		1				
038	161061-6	DRUM		1				
039-1	263014-2	RUBBER PIN 4		1				
040-3	911586-8	PAN HEAD SCREW M4X60		2				
041-1	152368-1	BRACKET		1				
D10		INC. 50						
042	911138-5	PAN HEAD SCREW M4X20		6				
043	222008-6	V-PULLEY 4-20L		1	*			
043-1	222125-2	V-PULLEY 4-20L	O	1				
044	410051-9	BELT COVER		1				
045	263002-9	RUBBER PIN 4		1				
046	911148-2	PAN HEAD SCREW M4X25		2				
047-1	225071-8	POLY V-BELT 4-241		1				
048	222009-4	V-PULLEY 4-37		1	*			
048-1	222126-0	V-PULLEY 4-37	O	1				
049	211062-5	BALL BEARING 6000ZZ		1				
050	263002-9	RUBBER PIN 4		1				
051	342430-2	ADJUST PLATE		2				
052	251246-3	+ PAN HEAD SCREW M4X5		4				
053	345007-2	DRUM PLATE		1	*			
053-1	187679-5	DRUM PLATE SET	O	1				
054	251609-3	HEX. FLANGE HEAD BOLT M6X17		6				
407	164371-0	GUIDE RULE L-170		1				
410	782209-3	SOCKET WRENCH 9		1				
442	793322-2	T.C.T. MINI PLANER BLADE 82		1	*			
442-1	A-82921	T.C.T. MINI PLANER BLADE	<	1	*			
442-2	D-07945	82MM TCT MINI PLANER BLADE	O	1				
901-2	343433-9	SET PLATE F/MINI BLADE		2				

Please order the parts with part number.

Print Date 17/6/2019