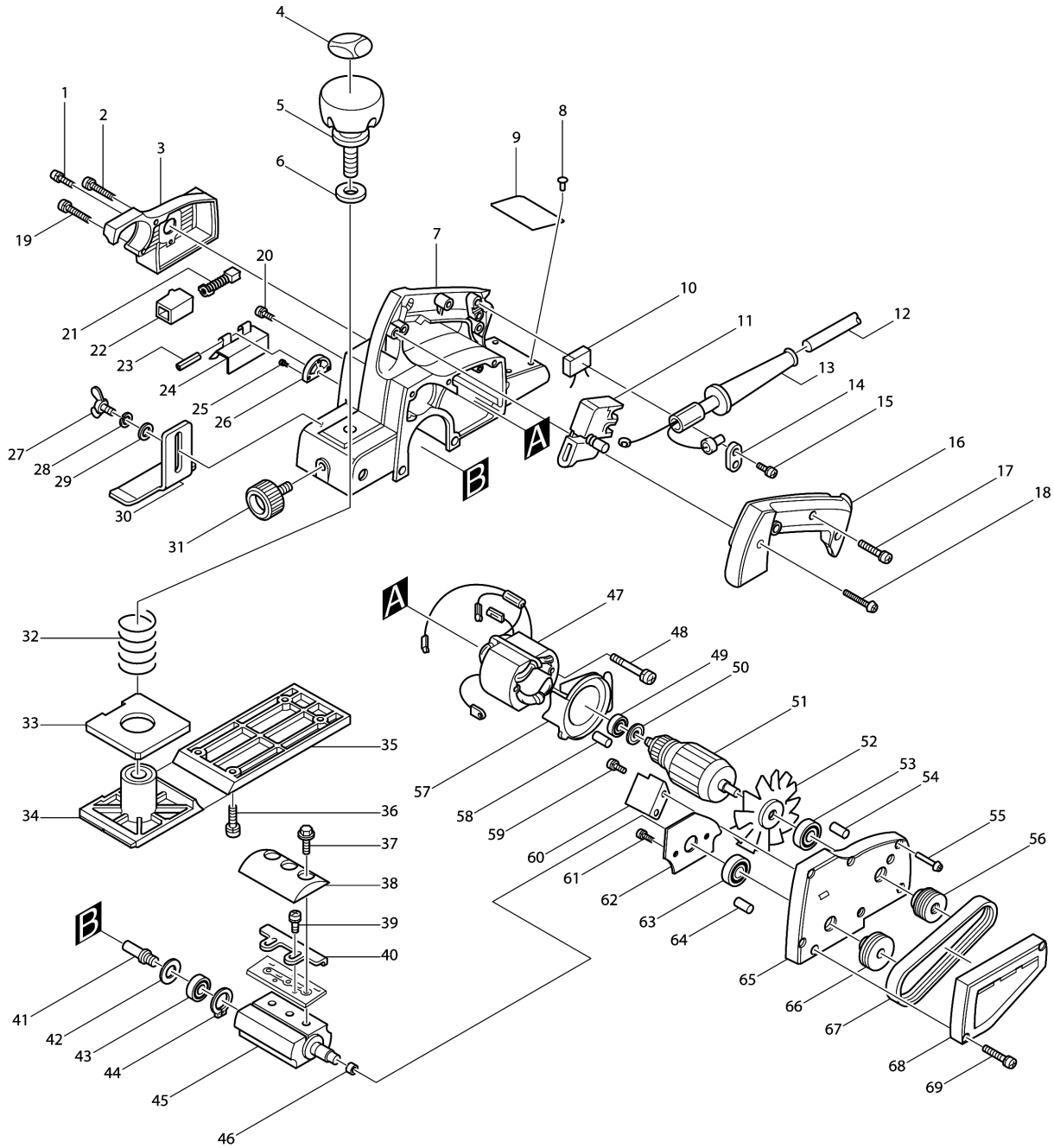


Model No.1125 POWER PLANER 82MM



Model No.1125 POWER PLANER 82MM

Item	Parts No.	Description	I/C	Qty	New/Old	Opt. 1	Opt. 2	Note
001	911133-5	PAN HEAD SCREW M4X18		2				
002	911158-9	PAN HEAD SCREW M4X30		1				
003	411185-1	MOTOR REAR COVER		1				
004	812004-8	SCALE LABEL		1				
005	271226-3	KNOB 50		1				
006	941251-5	FLAT WASHER 10		1				
007	156312-0	MAIN FRAME		1				
D10		INC. 58						
008	953106-2	RIVET 0-5		4				
009	811797-4	NAME PLATE 1125		1				
010A_	645209-3	NOISE SUPPRESSOR		1				
011J_	651236-0	SWITCH C2M-M1T		1	*			
011J1	650210-5	SWITCH SGE215C-3	S	1				
012M1	665516-8	POWER SUPPLY CORD 1.00-2-2.5		1				
013	682504-0	CORD GUARD 10-85		1				
014A_	687002-9	STRAIN RELIEF		1				
015-1	911133-5	PAN HEAD SCREW M4X18		2				
016A_	411319-6	HANDLE COVER		1				
017	911153-9	PAN HEAD SCREW M4X28		2				
018	911163-6	PAN HEAD SCREW M4X35		1				
019	911158-9	PAN HEAD SCREW M4X30		1				
020	911114-9	PAN HEAD SCREW M4X10		2				
021-1	181410-1	CARBON BRUSH CB-106		1				
022	643601-7	BRUSH HOLDER 6-10		2				
023	951131-7	SPRING PIN 4-40		1				
024	342391-6	DRUM COVER		1				
025	911116-5	PAN HEAD SCREW M4X12		3				
026	312644-7	DRUM HOUSING		1				
027	924206-5	WING BOLT M5X10		1				
028	942101-7	SPRING WASHER 5		1				
029	941101-4	FLAT WASHER 5		1				
030	342390-8	DEPTH GUIDE		1				
031	251804-5	SCREW M6X13		1				
032	231004-3	COMPRESSION SPRING 18		1				
033	421107-3	RUBBER PACKING		1				
034	312653-6	FRONT BASE		1				
035	312642-1	BASE		1				
036	911226-8	PAN HEAD SCREW M5X18		4				
037	251609-3	HEX. FLANGE HEAD BOLT M6X17		6				
038-1	343457-5	DRUM PLATE (2PCS/SET)		2				
039	251246-3	+ PAN HEAD SCREW M4X5		4				

Please order the parts with part number.

Print Date 17/6/2019

Model No.1125 POWER PLANER 82MM

Item	Parts No.	Description	I/C	Qty	New/Old	Opt. 1	Opt. 2	Note
040-2	342430-2	ADJUST PLATE		2				
041	323487-2	DRUM REAR SHAFT		1				
042	253171-4	FLAT WASHER 10		1				
043	211061-7	BALL BEARING 6000LLB		1				
044	961006-2	RETAINING RING S-10		1				
045	161036-5	DRUM		1				
046	257013-4	RING 12		1				
047C_	522245-5	FIELD ASS'Y 220V		1				
C10	654038-3	INSULATED TERMINAL FT1.25-M4		2	*			
C11	654038-3	INSULATED TERMINAL FT1.25-M4	O	2	*			
C12	654038-3	INSULATED TERMINAL FT1.25-M4	O	2	*			
C13	654038-3	INSULATED TERMINAL FT1.25-M4	O	2				
048-1	911280-2	PAN HEAD SCREW M5X55		2				
049	211031-6	BALL BEARING 608LLB		1				
050	681613-2	INSULATION WASHER		1				
051C_	512315-8	ARMATURE ASS'Y 220V		1				
D10		INC. 49,50,52,53						
052	241044-3	FAN 68		1				
053	211066-7	BALL BEARING 6200LLB		1				
054	263002-9	RUBBER PIN 4		1				
055	911151-3	PAN HEAD SCREW M4X28		6				
056	222050-7	V-PULLEY 4-24L		1				
057	411208-5	BAFFLE PLATE		1				
058	263002-9	RUBBER PIN 4		1				
059	911101-8	PAN HEAD SCREW M4X6		2				
060	342389-3	BAFFLE PLATE		1				
061	911111-5	PAN HEAD SCREW M4X10 WITH W		2				
062	341265-8	CHIP DEFLECTOR		1				
063	211106-1	BALL BEARING 6201LLB		1				
064	263005-3	RUBBER PIN 6		1				
065	152192-2	BRACKET COMPLETE		1				
D10		INC. 64						
066	222051-5	V-PULLEY 4-44		1				
067-1	225069-5	POLY V-BELT 4-272		1				
068	411186-9	BELT COVER		1				
069	911153-9	PAN HEAD SCREW M4X28		2				
400	924216-2	WING BOLT M5X15		2				
401	942101-7	SPRING WASHER 5		2				
402	941101-4	FLAT WASHER 5		2				
403	342392-4	BEVEL GUIDE		1				

Please order the parts with part number.

Print Date 17/6/2019

Model No.1125 POWER PLANER 82MM

Item	Parts No.	Description	I/C	Qty	New/Old	Opt. 1	Opt. 2	Note
404	161037-3	GUIDE RULE		1				
405	411086-3	GAUGE PLATE		1				
406	911228-4	PAN HEAD SCREW M5X18		2				
407	123062-2	BLADE GAUGE ASS'Y		1				
D10		INC. 405,406						
409	782209-3	SOCKET WRENCH 9		1				
410-3	793004-6	PLANER BLADE 82		1	*			
410-4	D-16346	82MM HSS PLANER BLADE	O	1				
411	934301-3	WING NUT M6		2				
413	123004-6	SHARPENING HOLDER ASS'Y		1				
D10		INC. 411,414						
414	251920-3	CAP SQUARE NECK BOLT M6X30		2				

Please order the parts with part number.

Print Date 17/6/2019