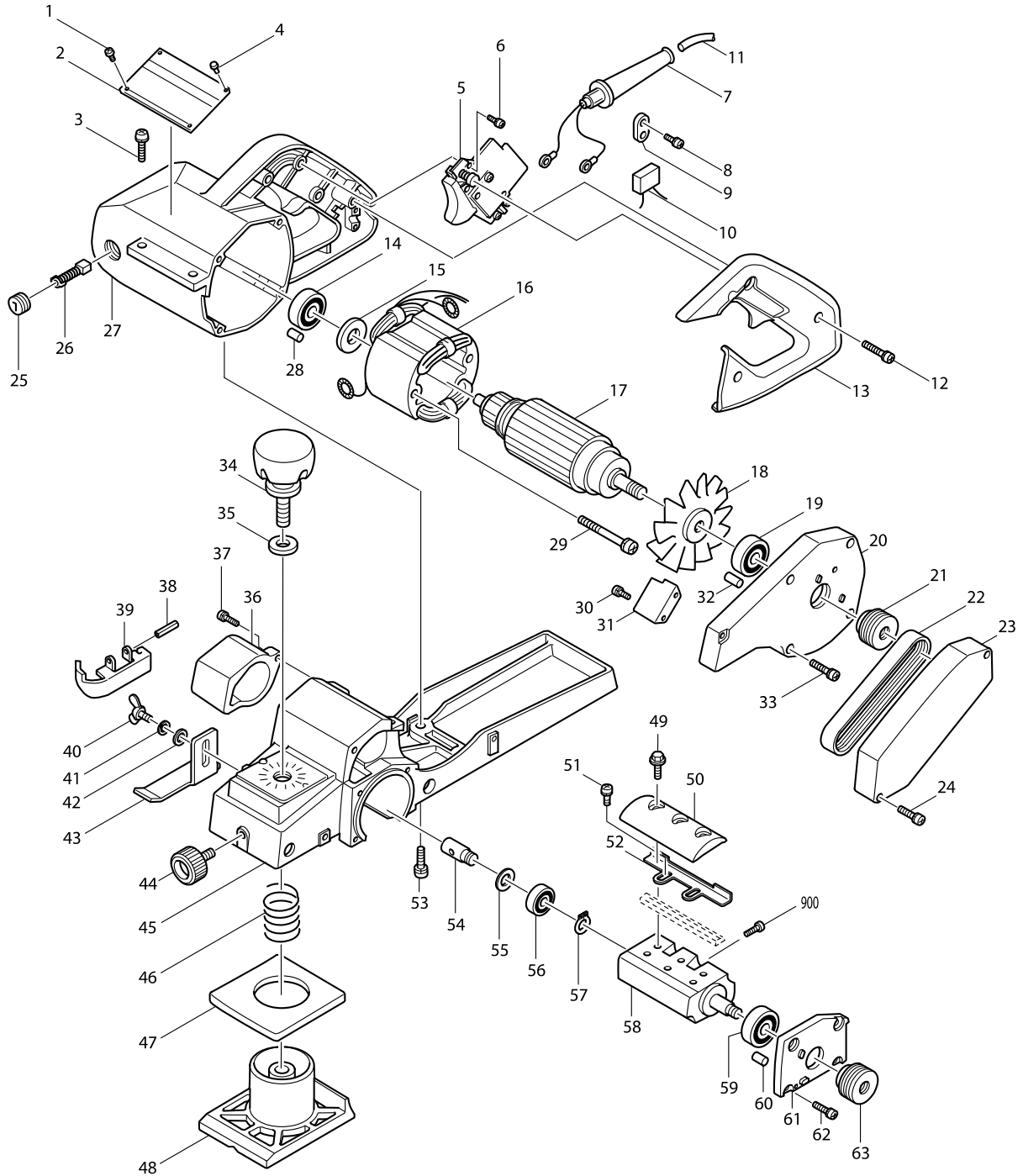


# Model No. 1100 POWER PLANER 82MM



# Model No. 1100 POWER PLANER 82MM

Item	Parts No.	Description	I/C	Qty	N/O	Opt. 1	Opt. 2	Note
001	911001-2	PAN HEAD SCREW M3X6		2				
002	811751-8	NAME PLATE 1100		1				
003	911228-4	PAN HEAD SCREW M5X18		2				
004	953106-2	RIVET 0-5		2				
005L_	651023-7	SWITCH HPAH2-2S		1	*			
005I1	651034-2	SWITCH HPAHC-2-25S	X	1				
006-1	911101-8	PAN HEAD SCREW M4X6		1				
007B1	682516-3	CORD GUARD 9.3-85		1				
008-1	911133-5	PAN HEAD SCREW M4X18		2				
009C_	687052-4	STRAIN RELIEF		1				
010A_	645105-5	NOISE SUPPRESSOR		1				
011X_	665883-1	POWER SUPPLY CORD 1.0-2-5.0		1				
012	911153-9	PAN HEAD SCREW M4X28		3				
013D_	415435-6	HANDLE COVER		1	*			
013D1	411632-2	HANDLE COVER	X	1				
014	211068-3	BALL BEARING 6200LB		1				
015-1	681623-9	INSULATION WASHER		1				
016L_	528370-0	FIELD ASS'Y 220V		1				
C10	654019-7	RING TERMINAL		2				
C20	654501-6	CONNECTOR P-1.25		2				
017C1	513398-1	ARMATURE ASS'Y 220V		1				
D10		INC. 14,15,18,19						
018	241001-1	FAN 80		1				
019	211066-7	BALL BEARING 6200LLB		1				
020	152191-4	BRACKET COMPLETE		1	*			
D10		INC. 32			*			
020-1	312246-9	BRACKET	O	1				
021	222002-8	V-PULLEY 5-26.5L		1				
022	225001-9	POLY V-BELT 5-285		1				
023	411004-1	BELT COVER		1	*			
023-1	411004-1	BELT COVER	O	1				
024	911148-2	PAN HEAD SCREW M4X25		2				
025	643600-9	BRUSH HOLDER CAP 6-10		2				
026C_	181030-1	CARBON BRUSH CB-100		1				
027-1	159529-4	MOTOR HOUSING		1				
C10	643603-3	BRUSH HOLDER 6-10		2	*			
C11	643609-1	BRUSH HOLDER 6-10	O	2				
D10		INC. 28						
028-1	263013-4	RUBBER PIN 4		1				
029-1	911290-9	PAN HEAD SCREW M5X65		2				
030	911101-8	PAN HEAD SCREW M4X6		2				
031	342148-5	BAFFLE COVER		1				
032	263002-9	RUBBER PIN 4		1	*			
033	911146-6	PAN HEAD SCREW M4X25		5				
034	271226-3	KNOB 50		1				
035	941251-5	FLAT WASHER 10		1				
036C_	415452-6	CHIP COVER		1				
037-1	911138-5	PAN HEAD SCREW M4X20		1				

Item	Parts No.	Description	I/C	Qty	N/O	Opt. 1	Opt. 2	Note
038	951131-7	SPRING PIN 4-40		1				
039A_	343849-8	DRUM COVER		1				
040	924206-5	WING BOLT M5X10		1				
041	942101-7	SPRING WASHER 5		1				
042	941101-4	FLAT WASHER 5		1				
043	342001-5	DEPTH GUIDE		1				
044	251804-5	SCREW M6X13		1				
045	156510-6	MAIN FRAME		1				
C11	816333-1	SCALE LABEL		1				
046	231001-9	COMPRESSION SPRING 17		1				
047	421001-9	RUBBER PACKING		1				
048	312002-7	FRONT BASE		1				
049	251609-3	HEX. FLANGE HEAD BOLT M6X17		6				
050	345001-4	DRUM PLATE		1	*			
050-1	187676-1	DRUM PLATE SET	O	1				
051	251246-3	+ PAN HEAD SCREW M4X5		4				
052	342430-2	ADJUST PLATE		2	*			
052-1	345644-2	ADJUST PLATE	<	2				
053	911226-8	PAN HEAD SCREW M5X18		2	*			
053-1	911228-4	PAN HEAD SCREW M5X18	O	2				
054	323001-4	DRUM REAR SHAFT		1				
055	253139-0	FLAT WASHER 8		1				
056-2	211032-4	BALL BEARING 608ZZ		1				
057	961004-6	RETAINING RING S-8		1				
058	161048-8	DRUM		1				
059	211107-9	BALL BEARING 6201ZZ		1				
060	263005-3	RUBBER PIN 6		1				
061	157022-2	DRUM HOUSING		1				
D10		INC. 60						
062	911121-2	PAN HEAD SCREW M4X14		4				
063	222001-0	V-PULLEY 5-29.4		1				
404	161046-2	GUIDE RULE		1				
406	411086-3	GAUGE PLATE		1				
407	911228-4	PAN HEAD SCREW M5X18		2				
408	123062-2	BLADE GAUGE ASS'Y		1				
D10		INC. 406,407						
410	782209-3	SOCKET WRENCH 9		1				
411B_	181790-5	STEEL CARRYING CASE		1	*			
411B1	181790-5	STEEL CARRYING CASE	O	1				
412B_	793322-2	T.C.T. MINI PLANER BLADE 82		1	*			
412B1	A-82921	T.C.T. MINI PLANER BLADE	<	1				
902-1	231600-7	TORSION SPRING 4		1				
905	343433-9	SET PLATE F/MINI BLADE		2				