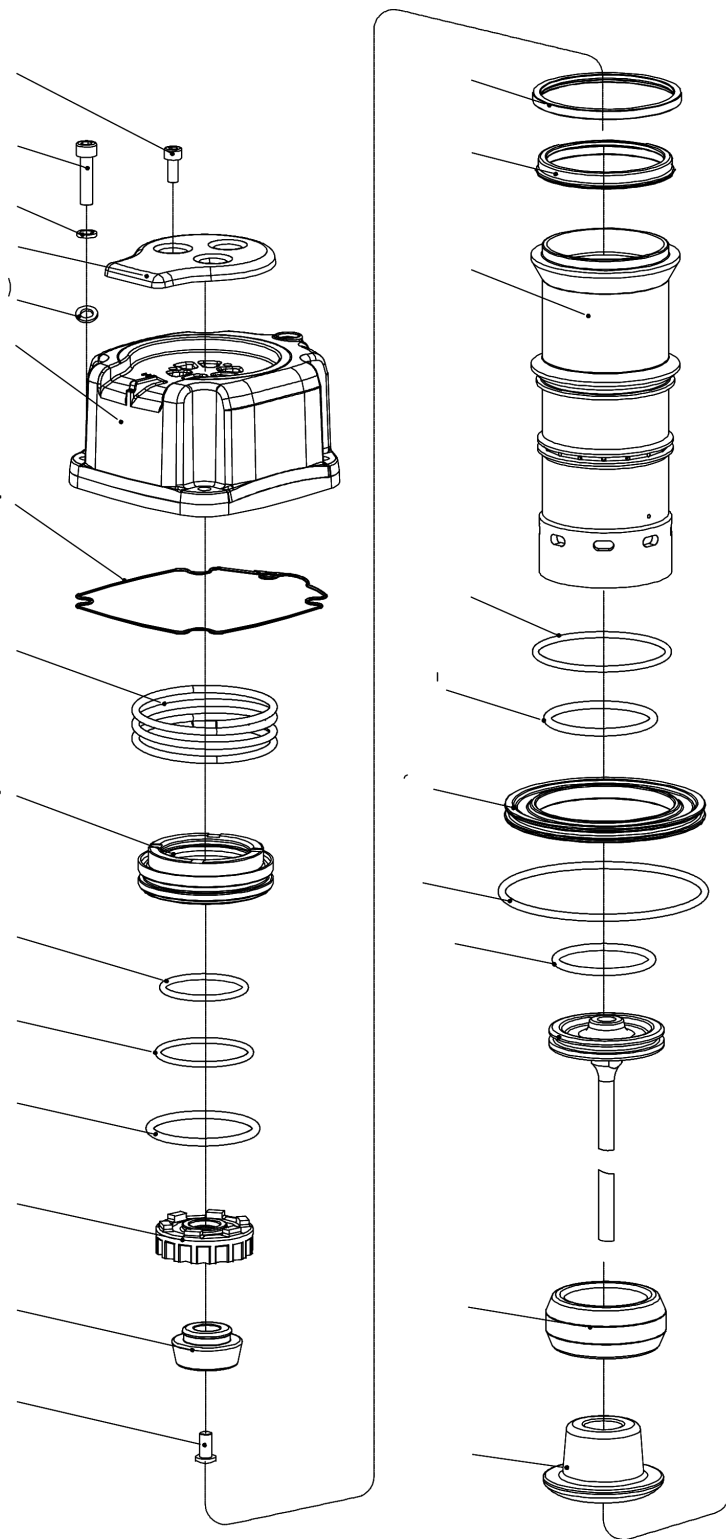
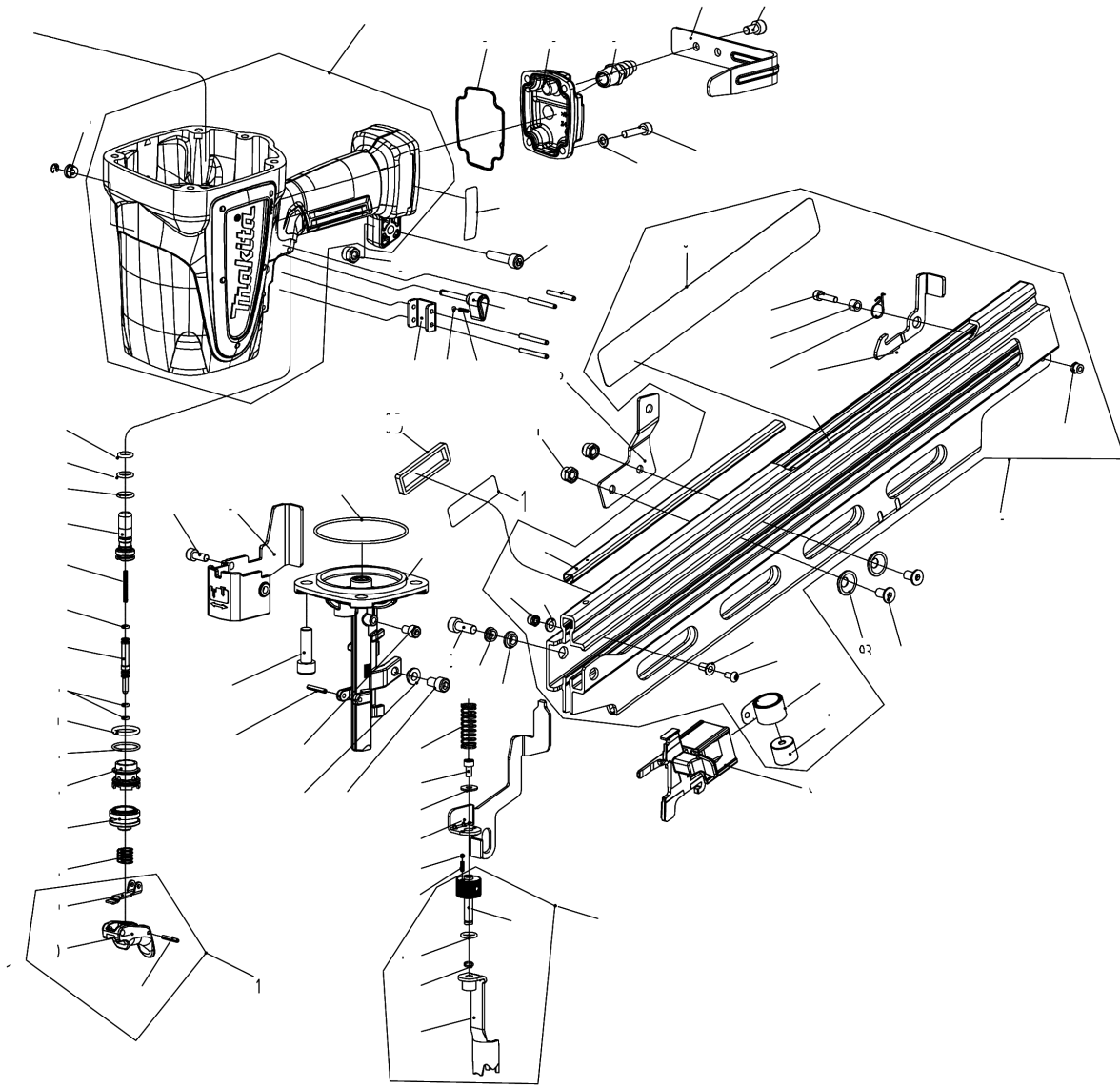


Model No.1050DW CORDLESS POWER PLANER



test1

Model No.1050DW CORDLESS POWER PLANER



test2

Model No.1050DW CORDLESS POWER PLANER

Item	Parts No.	Description	I/C	Qty	New/Old	Opt. 1	Opt. 2	Note
001	816346-2	SCALE LABEL		1				
002	271312-0	KNOB 35		1				
003	232185-6	LEAF SPRING		2				
004	344710-2	CAM PLATE		1				
005	265995-6	TAPPING SCREW 4X18		1				
006	416787-8	NOZZLE		1				
007	951051-5	SPRING PIN 3-8		1				
008	265995-6	TAPPING SCREW 4X18		1	*			
008-1	265999-8	TAPPING SCREW 4X25	X	1	*			
008-2	266045-0	TAPPING SCREW 4X20	X	1				
009	257215-2	SHOULDER RING 4		1				
010	231504-3	TORSION SPRING 10		1				
011	344708-9	DRUM COVER		1				
012	265995-6	TAPPING SCREW 4X18		1				
013	165242-4	DRUM HOLDER		1				
014	413074-6	LEAD GUIDE		1				
015	651942-7	SWITCH V15-1A6-IN		1				
016	416789-4	LOCK OFF BUTTON		1				
017	233194-8	COMPRESSION SPRING 4		1				
018	643909-9	BATTERY HOLDER		1				
019	851453-4	NAME PLATE 1050D		1				
020	416788-6	SWITCH LEVER		1				
021	629732-6	DC MOTOR		1				
C10	222151-1	PULLEY 7.5-13.5		1				
C20	344709-7	MOTOR HOLDER		1				
C30	911008-8	PAN HEAD SCREW M3X8		2				
022	265995-6	TAPPING SCREW 4X18		2				
023	416784-4	HANDLE COVER		1				
024	265995-6	TAPPING SCREW 4X18		4				
025	911148-2	PAN HEAD SCREW M4X25		1	*			
025-1	911158-9	PAN HEAD SCREW M4X30	X	1				
026	416783-6	MAIN FRAME		1				
027	231356-2	COMPRESSION SPRING 15		1				
028	317119-1	FRONT BASE		1				
029	921382-6	HEX. BOLT M6X60		1				
030	344707-1	BASE		1				
031	912127-3	COUNTERSUNK HEAD SCREW M4X16		6				
032	285691-0	BEARING RETAINER 6-18		1				
033	211016-2	BALL BEARING 626LLB		1				
034	A-85400	PLANER BLADE 50MM		1				
035	310073-8	DRUM PLATE		2	*			
035-1	187669-8	DRUM PLATE SET	O	1				

Please order the parts with part number.

Print Date 17/6/2019

Model No.1050DW CORDLESS POWER PLANER

Item	Parts No.	Description	I/C	Qty	New/Old	Opt. 1	Opt. 2	Note
036	265322-7	HEX. SOCKET HEAD BOLT M6X18		4	*			
036-1	265484-1	HEX. SOCKET HEAD BOLT M6X17	X	4				
037	265069-3	+PAN HEAD SCREW M4X10		4				
038	231317-2	COMPRESSION SPRING 3		4				
039	161134-5	DRUM		1				
040	211088-7	BALL BEARING 6000DDW		1				
041	416785-2	BRACKET		1				
042	265995-6	TAPPING SCREW 4X18		4				
043	222152-9	PULLEY 8-30		1				
044	931402-8	HEX. NUT M8		1				
045	225082-3	SYNCHRO BELT 6-210		1				
046	344711-0	BAFFLE PLATE		1				
047	416786-0	BELT COVER		1				
048	265995-6	TAPPING SCREW 4X18		2				
049	941051-3	FLAT WASHER 4		1				
A01	122469-9	DUST BAG ASS'Y		1				
A02	251871-0	SCREW M5X10		2				
A03	253807-5	FLAT WASHER 5		2				
A04	343579-1	SET PLATE		1	*			
A05	344726-7	GUIDE HOLDER		1				
A06	344727-5	GUIDE RULE		1				
A07	414938-7	BATTERY COVER		1				
A08	783202-0	HEX. WRENCH 4		1				
A09	824544-4	PLASTIC CARRYING CASE		1				
C10	417059-4	LATCH		2				
A10A	192597-4	BATTERY 1222 SET		1				
A10B	193100-4	NI-MH(2.6A) BATTERY 1234 SET		1				
A10C	192597-4	BATTERY 1222 SET		1				
A10D	192698-8	NI-MH(2.2A) BATTERY 1233		1				
B01	***DC1411	DC1411 FAST CHARGER		1	*			
B01-1	***DC1413	DC1413 BATTERY CHARGER	<	1	*			
B01-2	***DC1414	DC1414 BATTERY CHARGER	O	1				
E01C	414938-7	BATTERY COVER		1				
E01D	414938-7	BATTERY COVER		1				
E02C	192597-4	BATTERY 1222 SET		1				
E03D	192698-8	NI-MH(2.2A) BATTERY 1233		1				

Please order the parts with part number.

Print Date 17/6/2019